



# Arch SL Wall Washer

## XL-024/048/D3/AW



Arch SL wall washer employ SMD low-power LEDs as light source, linear arrangement, uniform light; the lamp body, end cap employ aluminum alloy, and toughened glass cover, wire outlet from bottom; excellent lighting effect, cooling, waterproof, impact-resistant performance. Use extrusion integral lens as light distribution, color change and uniform distribution. Delicate appearance, suitable for small space where wall washer will be installed.

### Features:

1. Extrusion aluminum alloy lamp body, excellent cooling performance;
2. Toughened glass cover, durable;
3. Ingress protection up to IP65;
4. 100-240V AC/ constant-voltage 24V DC driver;
5. Employ SMD low-power LEDs; uniform temperature distribution;
6. Overall lens distribution; uniform mixed light;
7. Operating environment -20° - +40°;
8. RoHS and CE compliant;
9. Super-small appearance; it can be merged well into exterior wall;
10. Corrosion-proof grade: W.



## Technical parameters :

Model	CCT/ Waveform length	Color	Lumen(lm) (±10%)	Power (w) (±10%)	Current (TYP)	LED qty.	Voltage (±5%)	Dimension (mm)	LED Type	CRI	Beam angle
XL-024-D3-W-02	5500-6500K	White	1210	24	1A	48pcs	DC24V	500			
XL-024-D3-NW-02	4000-4500K	Neutral white	1200	24	1A	48pcs					
XL-024-D3-WW-02	2700-3200K	Warm white	950	24	1A	48pcs					
XL-024-AW-W-02	5500-6500K	White	1210	24	0.4A	48pcs	AC 100-240V 50-60Hz	2835	> 70	45	
XL-024-AW-NW-02	4000-4500K	Neutral white	1200	24	0.4A	48pcs					
XL-024-AW-WW-02	2700-3200K	Warm white	950	24	0.4A	48pcs					
XL-048-D3-W-02	5500-6500K	White	2420	45	1.87A	96pcs	DC24V	1000			
XL-048-D3-NW-02	4000-4500K	Neutral white	2400	45	1.87A	96pcs					
XL-048-D3-WW-02	2700-3200K	Warm white	1900	45	1.87A	96pcs					
XL-048-AW-W-02	5500-6500K	White	2420	45	0.6A	96pcs	AC 100-240V 50-60Hz	1000			
XL-048-AW-NW-02	4000-4500K	Neutral white	2400	45	0.6A	96pcs					
XL-048-AW-WW-02	2700-3200K	Warm white	1900	45	0.6A	96pcs					
XL-024-D3-RGB-02	—	RGB	350	24	1A	48pcs	DC24V	500	5730	—	
XL-048-D3-RGB-02	—	RGB	700	45	1.87A	96pcs	1000				

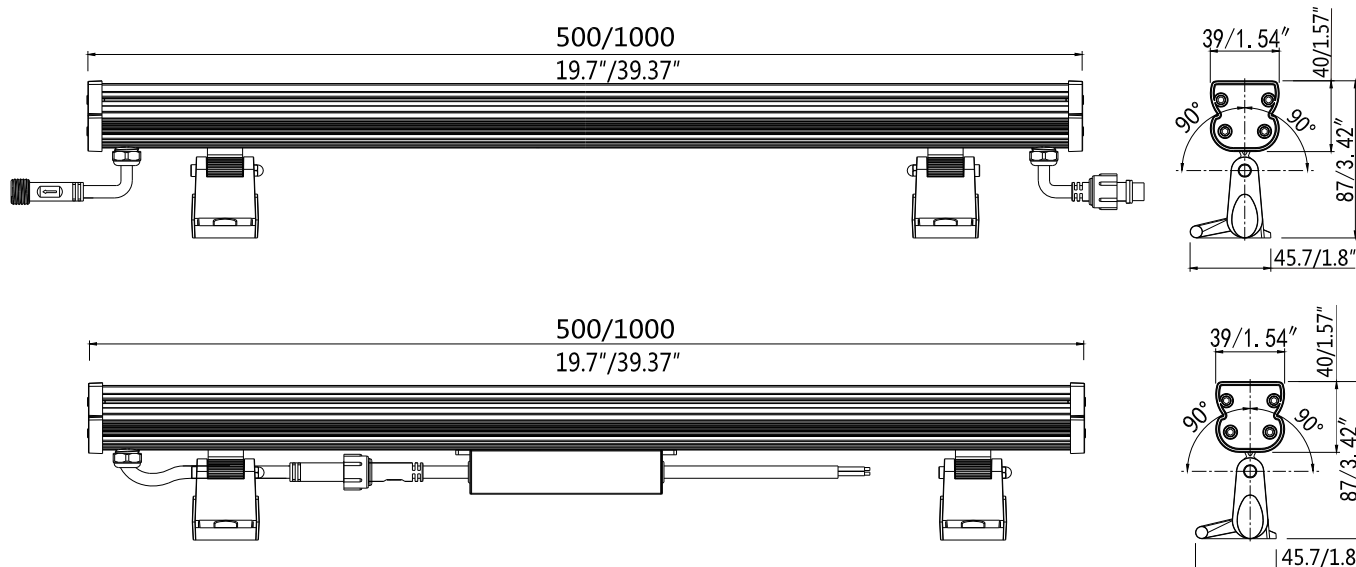
YY represent serial number, used to distinguish specific model generated from different angle, above parameters are tested at the minimum angle, voltage range of DC driver ±5%.

## Application:

Suitable for landscape lighting and architectural lighting; include decoration lighting of hotel, villa, square, courtyard, and business and panoramic lighting of subway, elevated overpass, building exterior wall, building landmark, etc.

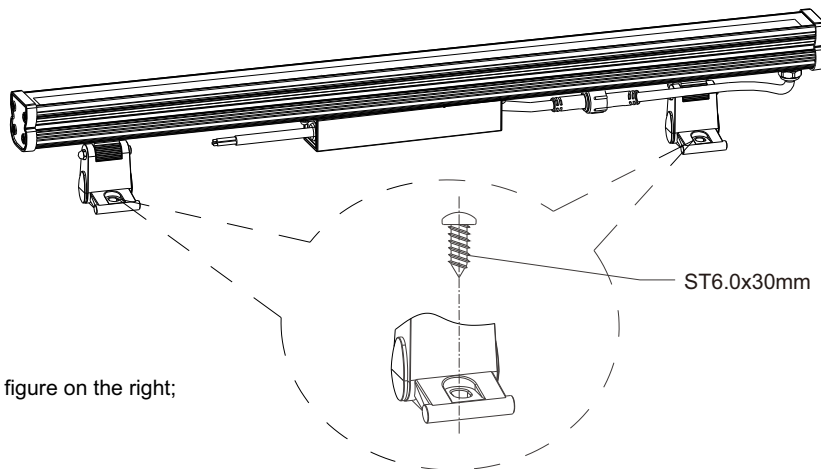
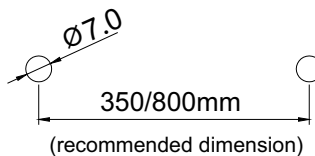


## Dimension(Unit:mm/inch):





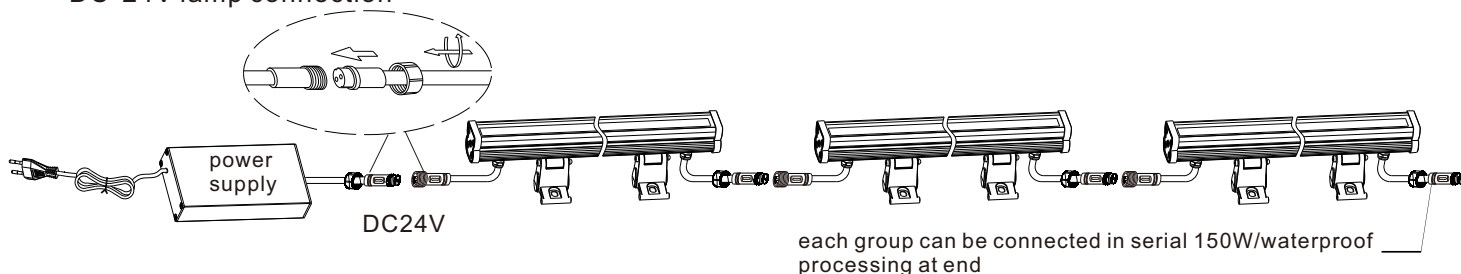
### Installation diagram:



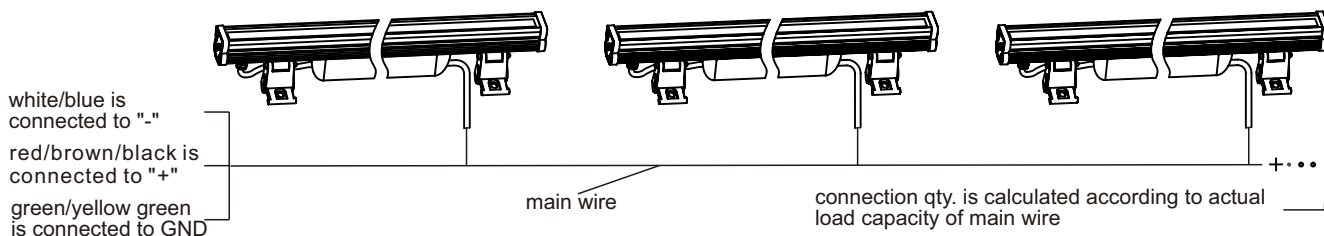
1. Drill hole according to above drawing;
2. Fasten the lamp on installation surface as figure on the right;

### Connection diagram :

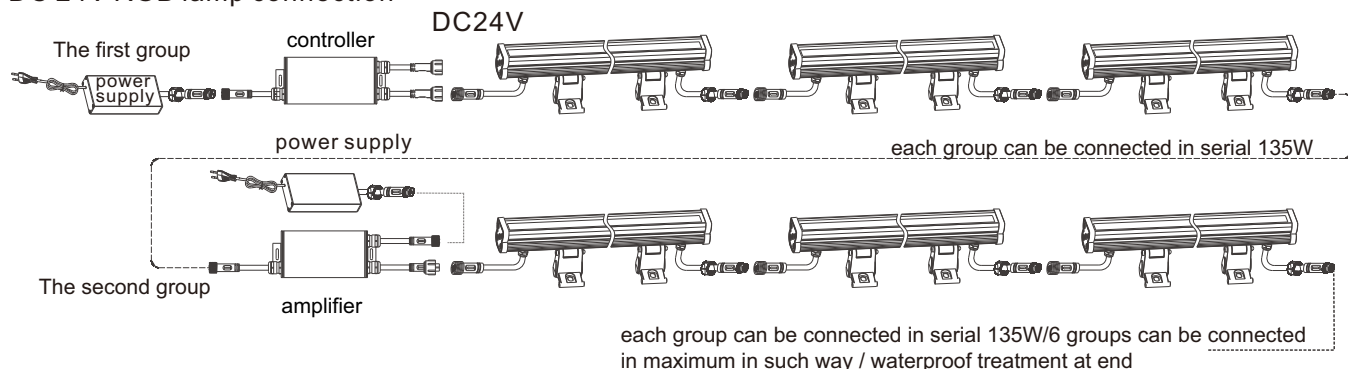
#### DC 24V lamp connection



#### AC 100-240V lamp connection



#### DC 24V RGB lamp connection



#### Remark:

1. Max. distance between two lamps can't exceed 5M;
2. Single color lamp wiring: blue/red wire is connected to negative polarity of power supply, brown/black wire is connected to positive polarity of power supply;
3. RGB lamp wiring: blue wire is connected to negative polarity of blue light; green wire is connected negative polarity of green light; red wire is connected negative polarity of red light; positive polarity share black;
4. Max. load of power supply, controller, signal amplifier need to exceed total power of lamp;



## Packing information:

Production dimension/ Specification	0.5M/DC24V	0.5M/AC100-240V	1M/DC24V	1M/AC100-240V
Dimension of inner box	567X113X110mm		1067X113X110mm	
Dimension of outer carton	588X353X356mm		1088X353X356mm	
Packing qty.	9pcs/carton	9pcs/carton	9pcs/carton	9pcs/carton
Net weight of product	0.78kg	1.22kg	1.48kg	1.92kg
Gross weight of product	0.9kg	1.32kg	1.63kg	2.1kg
Gross weight of whole carton	8.6kg	12.45kg	15.6kg	19.8kg

## Installation requirements::

- 1.Count lamp and accessories,and prepare 2 sets of installation bolts by yourself;
- 2.Power off before installation;
- 3.Make sure installation material can endure the weight of lamp,and fix the lamp on installation material reliably;the lamp bracket depends on field situation;
- 4.Connect the lamp wire to wire of power supply,and seal the joint with waterproof treatment;
- 5.Outlet wire on two end of lamp can be connected in seal directly,and the max. quantity of serial conneciton depend on remark requirement in installation drawing;
- 6.Power on.

## Notice:

- 1.Please first read the product specification carefully,make sure the using environment conform to specification, then it can be used;
- 2.Please confirm the input voltage before use;the lamp must be installed by professionals;
- 3.When product is connected to power supply,please make sure the power is cut off to prevent electric shock;
- 4.Dangerous high voltage,non-professionals unprofessional operation may damage the product ,even endanger life safety;
- 5.If there is any damage to the power wire or shell of the product,it should be taken as defective product and do not use it;dangerous high voltage,non-professionals are not allowed to maintain the product;
- 6.If external soft cable or soft wire of the light is damaged, it should be replaced by manufacture or service agent or personnel with similar qualification to avoid danger;
- 7.The product is forbidden to install at places of heat source,heat vapor, corrosive gas to avoid affecting lifespan of product;
8. It is forbidden to use the products in water environment;
9. Buried installation and using is forbidden;
- 10.W corrosion-proof grade, and corrosion-proof grade of operation environment is limited to bearable range.