



LED Shoebox Series

SB-100/120/150/180/240-AW-XX-ZYY

SB-110/150/-HV-XX-NYY



Description:

Shoobox can be used in parking lot, plaza, alley, park, farm, gas station, community, roadway and other outdoor location; the enclosure structure combine aluminum alloy die-casting frame with extrusion profile cooling, high shatter-proof and corrosion-proof performance; three installation methods are suitable for a variety of installation environment. Three angles for optional, suitable for light distribution of a variety of places.

Features:

1. Structural water-proof design,
2. Designed with profile+die-casting structure and hollow convection structure; optimal cooling effect, high stability in continuous working;
3. Energy-saving and eco-friendly, no UV, IR, or no mercury ;
4. Anti-UV PC lens, high shatter-proof, excellent water-proof and anti-aging performance;
5. Optional lens angle, 90°, 130°*70°, 50°*80°;
6. No flicker and glare; good color rendering performance;
7. Compact appearance, novel design, easy to install and transport.
8. Operating environment temperature: -20 °C-40°C.
9. Anti-corrosion protection: W.



Specifications:

Normal series :

Model	Color	Lumen(lm) (±10%)	Beam (angle°)	LED Type	Power(w) (±10%)	Voltage, Frequency	Current	CRI	PF
SB-100-AW-W-N10/20/30	5500-6500K	11300	90° 130*70° 50*80°	Seoul 3030	100	AC100-240V 50/60Hz	1.2A	> 80	≥0.9
SB-100-AW-NW-N10/20/30	4000-4500K	11000							
SB-100-AW-WW-N10/20/30	2700-3200K	10500							
SB-120-AW-W-N10/20/30	5500-6500K	13200	90° 130*70° 50*80°	Seoul 3030	120	AC100-240V 50/60Hz	1.4A	> 80	≥0.9
SB-120-AW-NW-N10/20/30	4000-4500K	13000							
SB-120-AW-WW-N10/20/30	2700-3200K	12000							
SB-150-AW-W-N10/20/30	5500-6500K	16800	90° 130*70° 50*80°	Seoul 3030	150	AC100-240V 50/60Hz	1.8A	> 80	≥0.9
SB-150-AW-NW-N10/20/30	4000-4500K	16000							
SB-150-AW-WW-N10/20/30	2700-3200K	15000							
SB-180-AW-W-N10/20/30	5500-6500K	19800	90° 130*70° 50*80°	Seoul 3030	180	AC100-240V 50/60Hz	2.1A	> 80	≥0.9
SB-180-AW-NW-N10/20/30	4000-4500K	19000							
SB-180-AW-WW-N10/20/30	2700-3200K	18000							
SB-240-AW-W-N10/20/30	5500-6500K	26400	90° 130*70° 50*80°	Seoul 3030	240	AC100-240V 50/60Hz	2.7A	> 80	≥0.9
SB-240-AW-NW-N10/20/30	4000-4500K	26000							
SB-240-AW-WW-N10/20/30	2700-3200K	24000							

N10: Normal series 90° shoebox

N20: Normal series 130° * 70° shoebox

N30: Normal series 50° * 80° shoebox



Specifications:

Photocontroller Series :

Model	Color	Lumen(lm) (±10%)	Beam (angle°)	LED Type	Power(w) (±10%)	Voltage, Frequency	Current	CRI	PF
SB-100-AW-W-S11/21/31	5500-6500K	11300	90° 130*70° 50*80°	Seoul 3030	100	AC100-240V 50/60Hz	1.2A	> 80	≥0.9
SB-100-AW-NW-S11/21/31	4000-4500K	11000							
SB-100-AW-WW-S11/21/31	2700-3200K	10500							
SB-120-AW-W-S11/21/31	5500-6500K	13200	90° 130*70° 50*80°	Seoul 3030	120	AC100-240V 50/60Hz	1.4A	> 80	≥0.9
SB-120-AW-NW-S11/21/31	4000-4500K	13000							
SB-120-AW-WW-S11/21/31	2700-3200K	12000							
SB-150-AW-W-S11/21/31	5500-6500K	16800	90° 130*70° 50*80°	Seoul 3030	150	AC100-240V 50/60Hz	1.8A	> 80	≥0.9
SB-150-AW-NW-S11/21/31	4000-4500K	16000							
SB-150-AW-WW-S11/21/31	2700-3200K	15000							
SB-180-AW-W-S11/21/31	5500-6500K	19800	90° 130*70° 50*80°	Seoul 3030	180	AC100-240V 50/60Hz	2.1A	> 80	≥0.9
SB-180-AW-NW-S11/21/31	4000-4500K	19000							
SB-180-AW-WW-S11/21/31	2700-3200K	18000							
SB-240-AW-W-S11/21/31	5500-6500K	26400	90° 130*70° 50*80°	Seoul 3030	240	AC100-240V 50/60Hz	2.7A	> 80	≥0.9
SB-240-AW-NW-S11/21/31	4000-4500K	26000							
SB-240-AW-WW-S11/21/31	2700-3200K	24000							

S11: Photocontroller Series 90° shoebox

S21: Photocontroller Series 130° * 70° shoebox

S31: Photocontroller Series 50° * 80° shoebox

High-voltage series :

Model	Color	Lumen(lm) (±10%)	Beam (angle°)	LED Type	Power(w) (±10%)	Voltage, Frequency	Current	CRI	PF
SB-110-HV-W-N10/20/30	5500-6500K	12100	90° 130*70° 50*80°	Seoul 3030	110	AC200-480V 50/60Hz	0.7A	> 80	≥0.9
SB-110-HV-NW-N10/20/30	4000-4500K	12000							
SB-110-HV-WW-N10/20/30	2700-3200K	11500							
SB-150-HV-W-N10/20/30	5500-6500K	16800	90° 130*70° 50*80°	Seoul 3030	150	AC200-480V 50/60Hz	0.9A	> 80	≥0.9
SB-150-HV-NW-N10/20/30	4000-4500K	16000							
SB-150-HV-WW-N10/20/30	2700-3200K	15000							

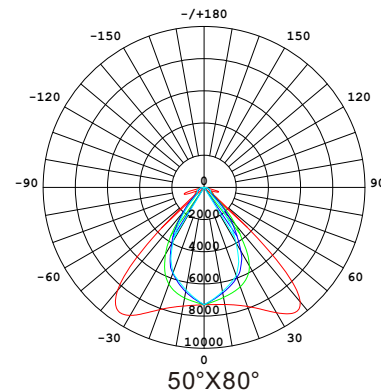
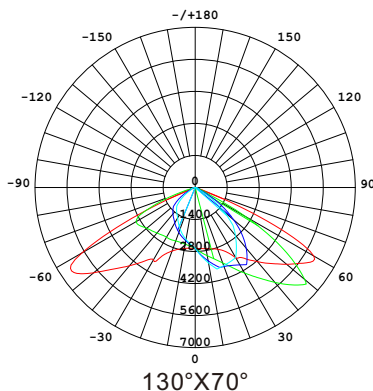
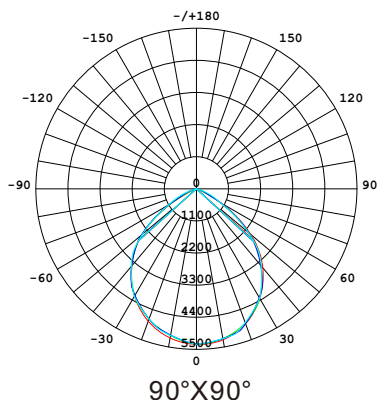
N10: High-voltage series 90° shoebox

N20: High-voltage series 130° * 70° shoebox

N30: High-voltage series 50° * 80° shoebox

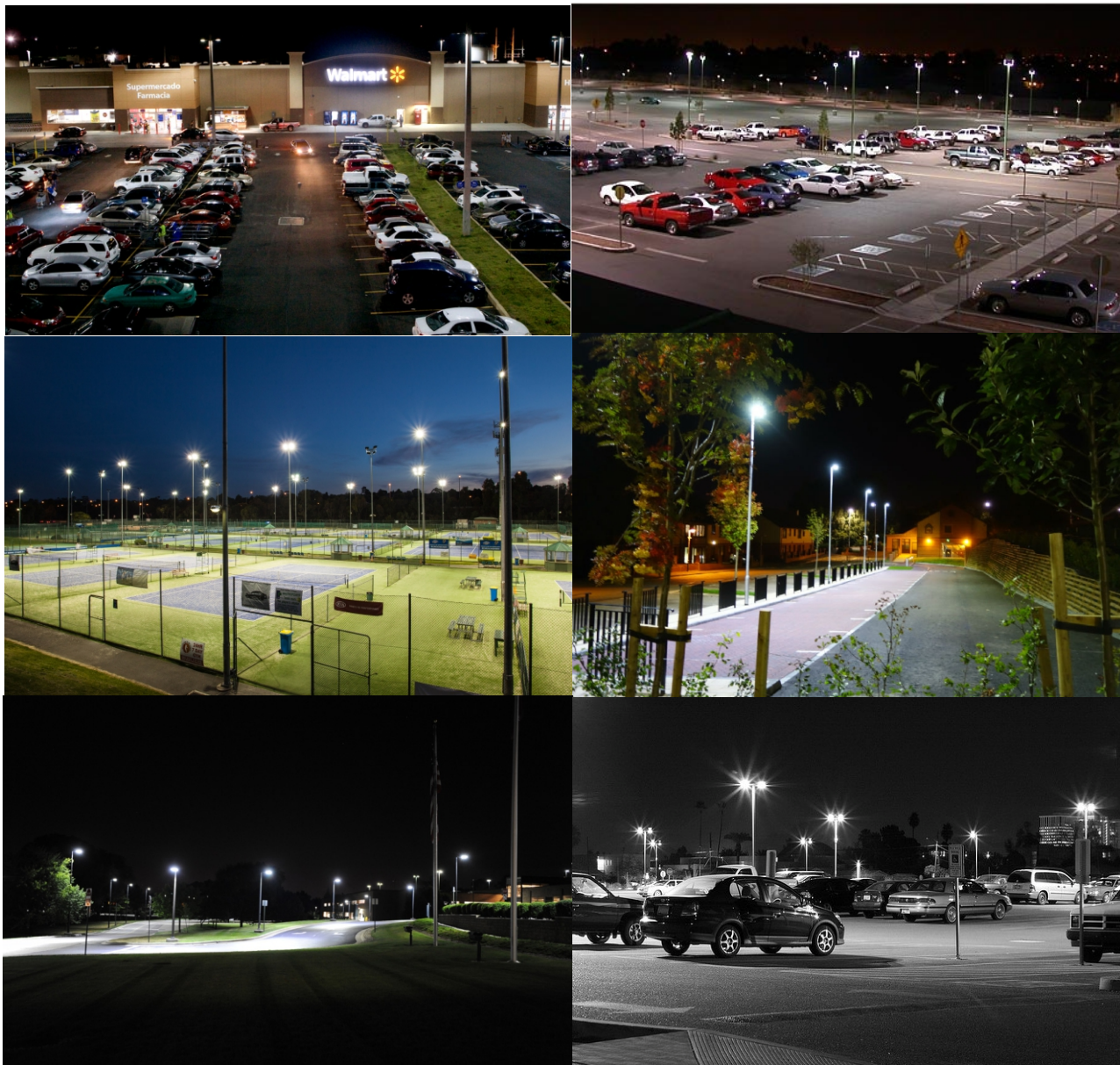


Intensity distribution diagram :



Application :

Suitable for parking lot, plaza, roadway, park, farm, gas station, community and other outdoor places.

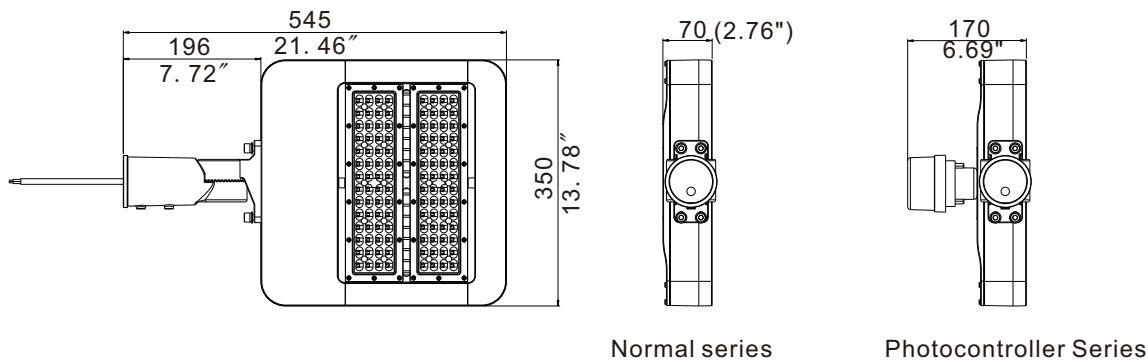




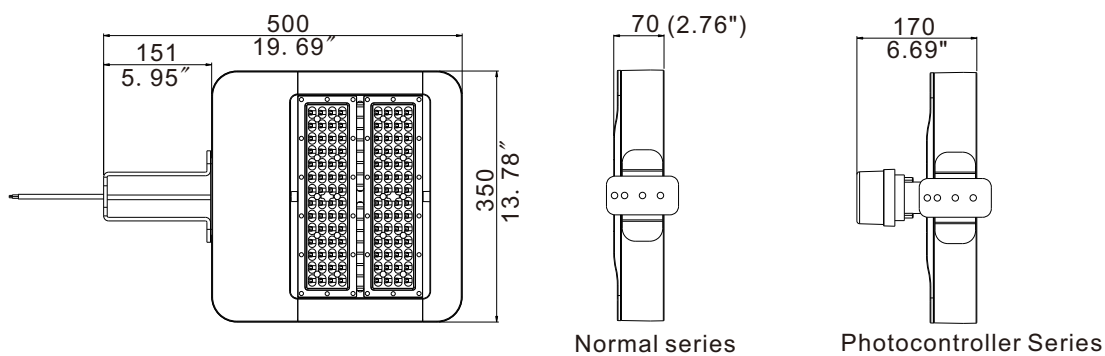
Dimension (Unit:mm):

100W/120W

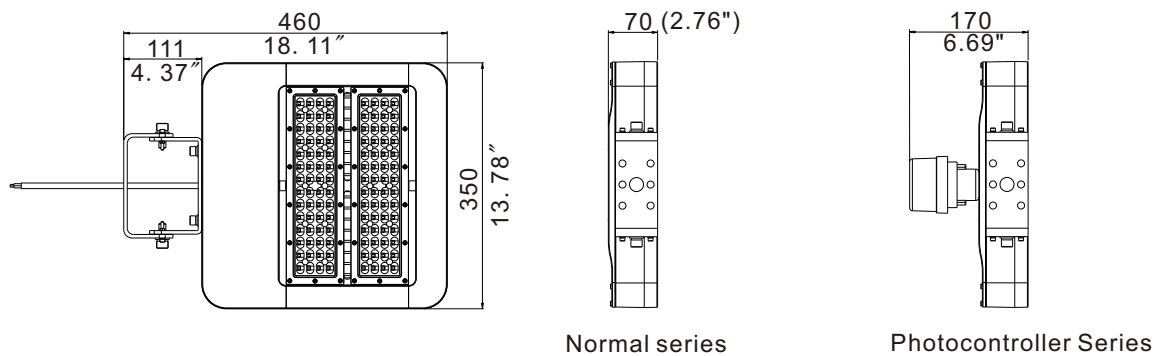
Slip Fitter:



Straight arm bracket:



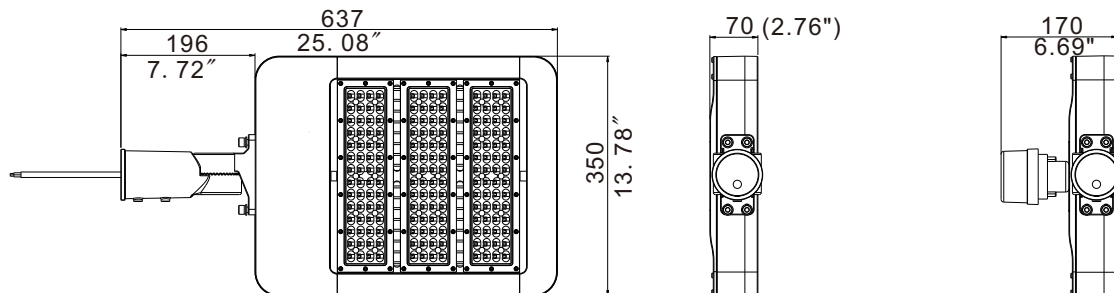
Trunnion bracket:





150W/180W

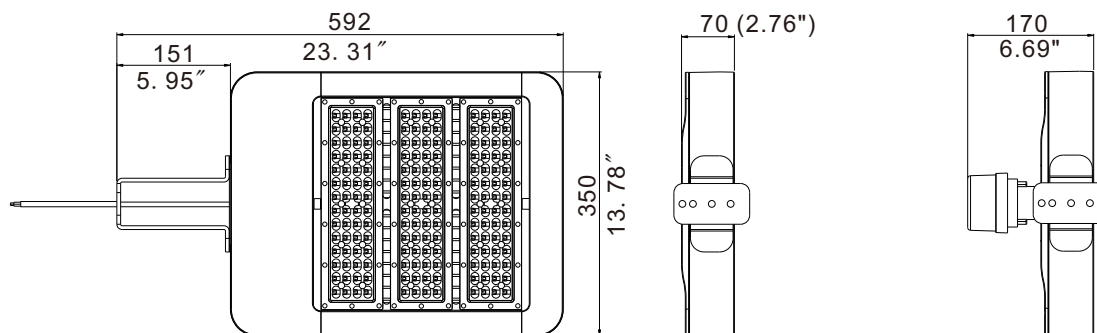
Slip Fitter:



Normal series

Photocontroller Series

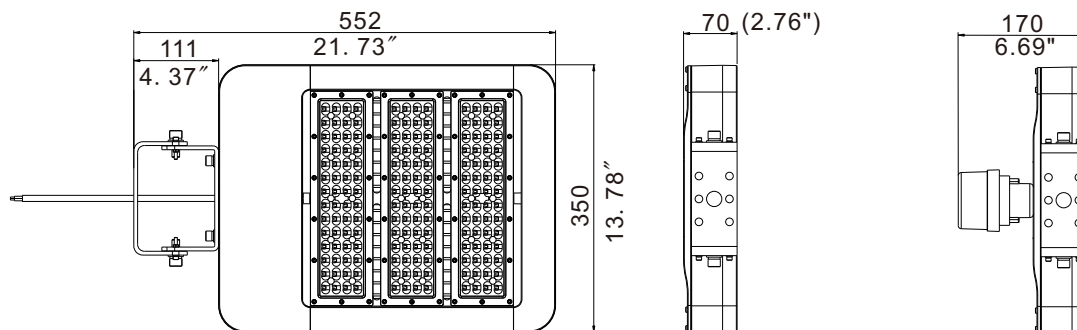
Straight arm bracket:



Normal series

Photocontroller Series

Trunnion bracket:



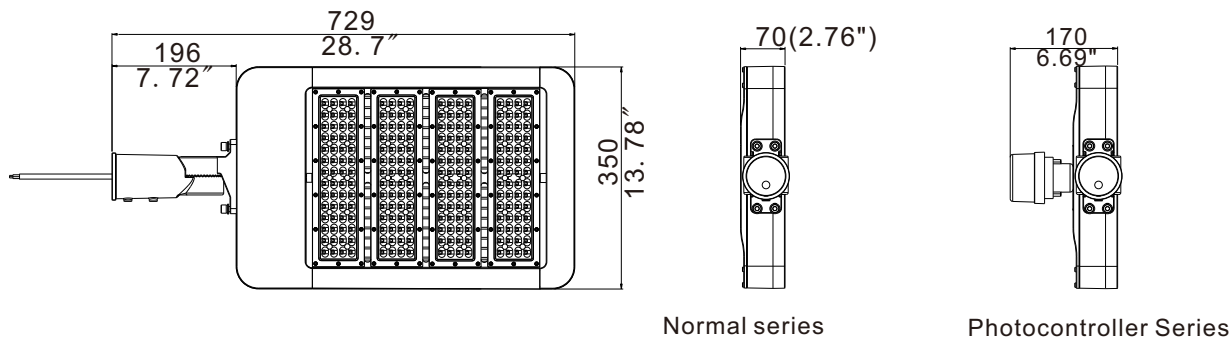
Normal series

Photocontroller Series

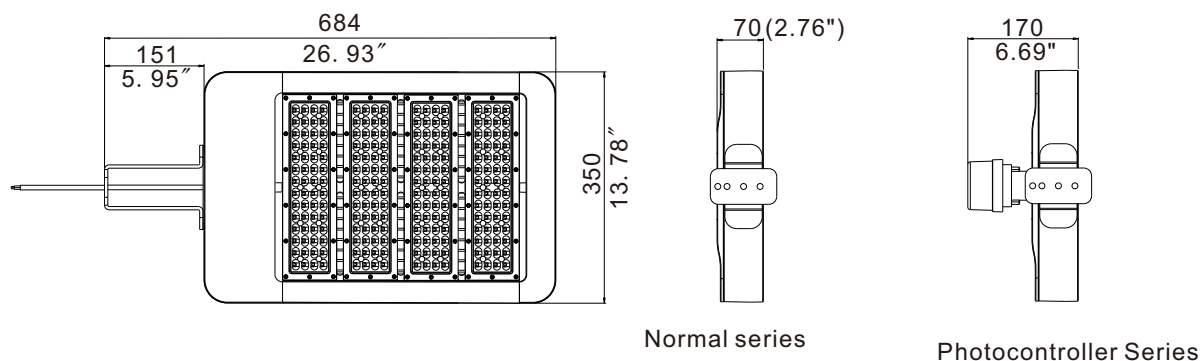


240W

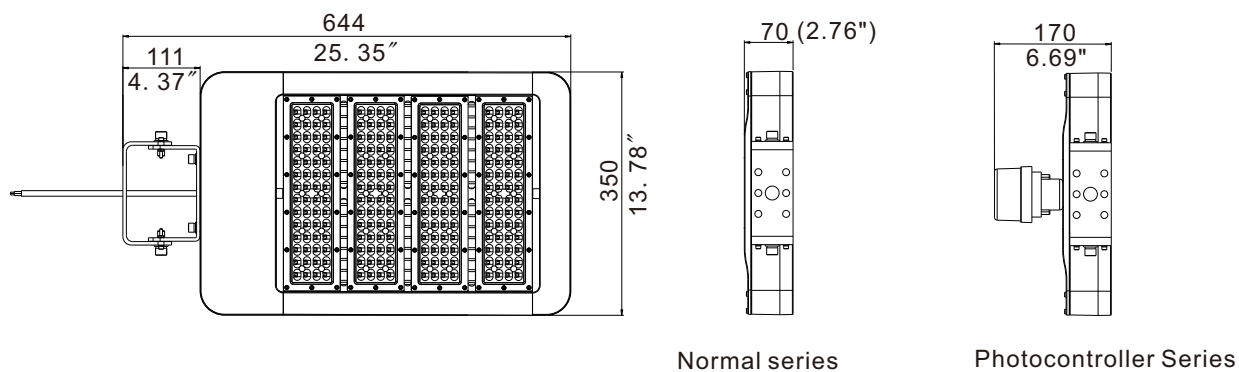
Slip Fitter:



Straight arm bracket:



Trunnion bracket:



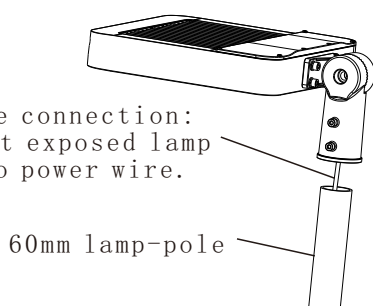


Installation:

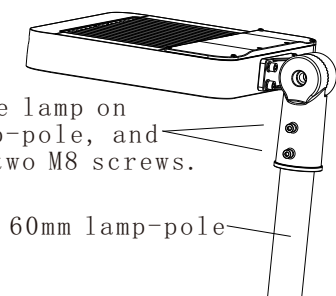
Slip Fitter:
60mm lamp-pole

Normal series

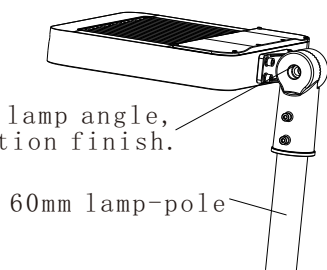
1. Wire connection:
Connect exposed lamp
wire to power wire.



2. Install the lamp on
the 60mm lamp-pole, and
tighten the two M8 screws.

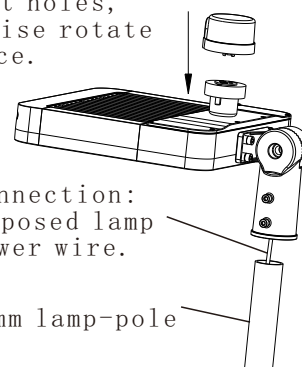


3. Adjust the lamp angle,
and installation finish.



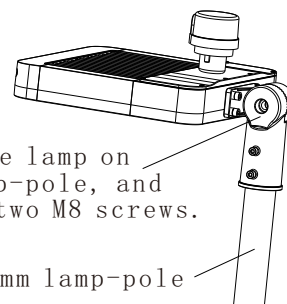
Photocontroller Series

1. Insert the light sensor into socket
with correct holes,
then clockwise rotate
it into place.

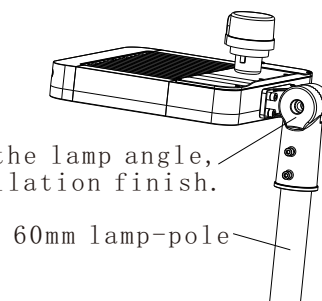


2. Wire connection:
Connect exposed lamp
wire to power wire.

3. Install the lamp on
the 60mm lamp-pole, and
tighten the two M8 screws.



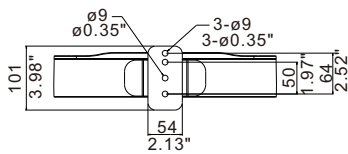
4. Adjust the lamp angle,
and installation finish.



**Straight arm bracket:
(100-150mm square pole)**

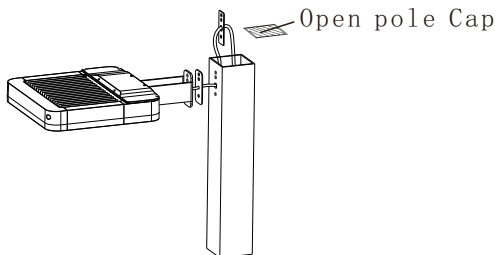
Normal series

1. Confirm installation location according to installation hole.

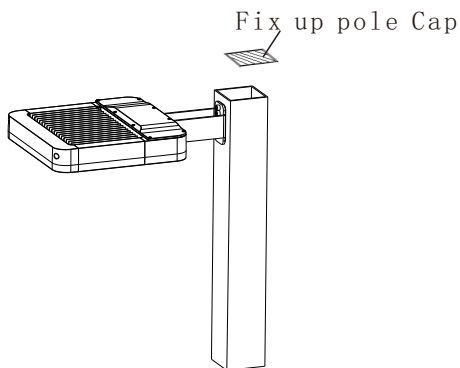


Installation hole figure of straight wall bracket

2. Open pole Cap.
3. Connect exposed lamp wire to power wire;

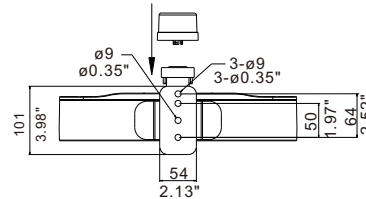


4. Put all of the wire into lamp-hole, and align installation hole of lamp to installation hole of lamp-hole, then fasten screws of lamp, finally installation finish.
5. Fix up pole Cap.



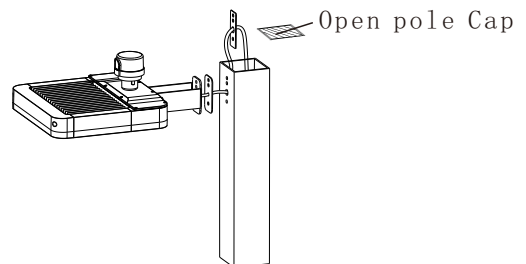
Photocontroller Series

1. Insert the light sensor into socket with correct holes, then clockwise rotate it into place.
2. Confirm installation location according to installation hole.

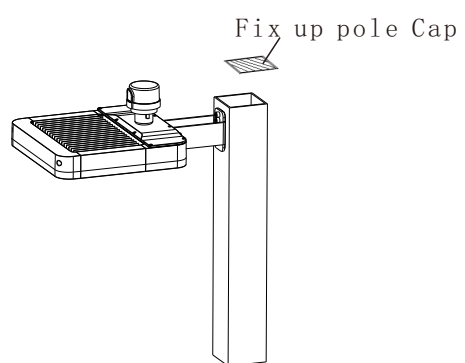


Installation hole figure of straight wall bracket

3. Open pole Cap.
4. Connect exposed lamp wire to power wire;



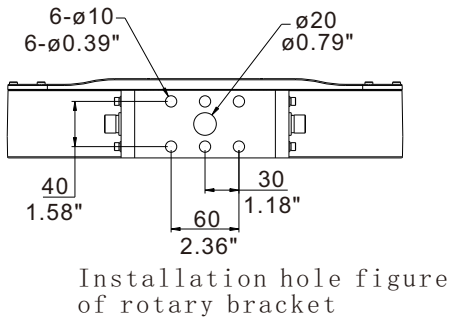
5. Put all of the wire into lamp-hole, and align installation hole of lamp to installation hole of lamp-hole, then fasten screws of lamp, finally installation finish.
6. Fix up pole Cap.



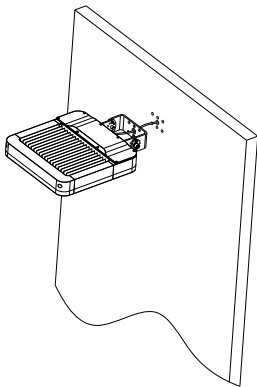
Trunnion bracket:

Normal series

1. Confirm installation location according to installation hole.



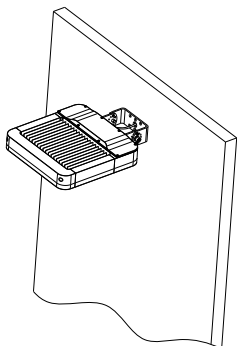
2. Connect exposed lamp wire to power wire;



3. Fix lamp: fix the lamp in installation position;

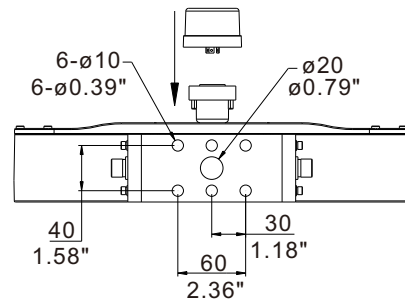
4. Adjust lighting angle of lamp ($-90^\circ \sim 90^\circ$);

5. Fix and adjust angle screw, installation finish.

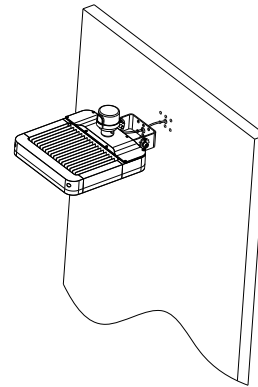


Photocontroller Series

1. Insert the light sensor into socket with correct holes, then clockwise rotate it into place.
2. Confirm installation location according to installation hole.



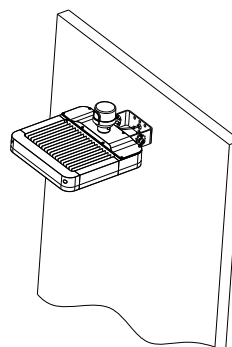
3. Connect exposed lamp wire to power wire;



4. Fix lamp: fix the lamp in installation position;

5. Adjust lighting angle of lamp ($-90^\circ \sim 90^\circ$);

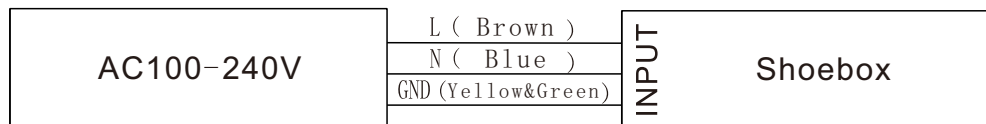
6. Fix and adjust angle screw, installation finish.



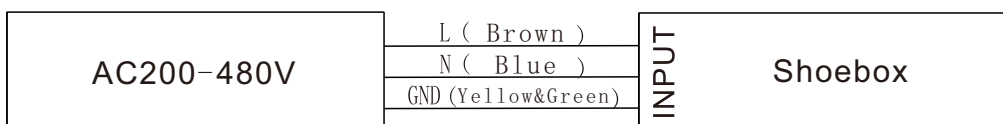


Wiring diagram:

Normal series an Photocontroller Series:



High-voltage series :



Packing information:

Normal series:

Power	100W	120W	150W	180W	240W
Net weight	6.5kg	6.5kg	7.5kg	7.7kg	8.9kg
Gross weight	7.5kg	7.5kg	8.8kg	9.0kg	10.2kg
Packing dimension	595*405*135mm	595*405*135mm	685*405*135mm	685*405*135mm	777*405*135mm
Packing qty.	1PCS/carton	1PCS/carton	1PCS/carton	1PCS/carton	1PCS/carton

Photocontroller Series:

Power	100W	120W	150W	180W	240W
Net weight	6.7kg	6.7kg	7.7kg	7.9kg	9.1kg
Gross weight	7.9kg	7.9kg	9.2kg	9.4kg	10.6kg
Packing dimension	595*405*175mm	595*405*175mm	685*405*175mm	685*405*175mm	777*405*175mm
Packing qty.	1PCS/carton	1PCS/carton	1PCS/carton	1PCS/carton	1PCS/carton

High-voltage series :

Power	110W	150W
Net weight	6.6kg	7.7kg
Gross weight	7.6kg	9.0kg
Packing dimension	595*405*135mm	685*405*135mm
Packing qty.	1PCS/carton	1PCS/carton



Installation requirement:

1. Power off before installation; and the lamp must be installed by professional electrician;
2. Confirm installation hole and location;
3. Connect light wire to power wire, seal the joint with insulation;
4. Make sure the installation material can endure the lamp weight; and install the lamp in the operation location.

Notice :

1. Please first read the product specification carefully to make sure the using environment conform to specification, then it can be installation;
2. Please confirm input voltage, frequency before installation;
3. This product must be installed by electrician;
4. If there is any damage to the power wire or shell of the product, it should be taken as defective product and do not use it;
5. Dangerous high voltage, non-professionals are not allowed to maintain the product;
6. If external soft cable or soft wire of the light is damaged, it should be replaced by manufacturer or service agent or personnel with similar qualification to avoid danger.
7. Please pull the power cord to the wiring compartment at the bottom of mounting pole and make the branch connection, the input wire connected at the bottom of the pole. (the length of driver input wire meet the demand of customer's).