



LED Retrofit

RT-60/80/100/120/150/180-AW-XX-YY



Description:

LED Retrofit is designed as economic replacement for HPS .Its adjustable U bracket suit to horizontal and vertical mogul (E40) holder. It's more efficient than LED corn light no matter in high bay, shoe box , street light or wall pack for its one face emitting.

Feature :

1. An extreme economic retrofit, 50% cost down compared to changing whole luminaries;
2. Retrofit is able to work in a sealed fixture and thermal detector could protect the LED while fan fail to work;
3. Standard E40(Mogul)base , great compatibility ;
4. Up to 130lm/w ;
5. Using small drive current, LED package will have a longer lifespan.
- 6.Sosen UL driver,Seoul 3030 LED ,Taiwan Sunon fan.
- 7.Operating environment temperature:-20 °C-40°C.
- 8.Anti-corrosion protection:no.



Technical parameters:

Model	Color	CCT	Lumen(lm) (±10%)	Beam (angle°)	LED Type	Voltage, Frequency	Power (±10%)	Current	CRI	PF
RT-060-AW-W-02	5500-6500K	White	7800	120°	SDM3030	AC100-240V 50/60Hz	60	0.7A	> 80	≥0.9
RT-060-AW-NW-02	4000-4500K	Neutral White	7800							
RT-060-AW-WW-02	2700-3200K	Warm White	6900							
RT-080-AW-W-02	5500-6500K	White	10400	120°	SDM3030	AC100-240V 50/60Hz	80	0.8A	> 80	≥0.9
RT-080-AW-NW-02	4000-4500K	Neutral White	10400							
RT-080-AW-WW-02	2700-3200K	Warm White	9200							
RT-100-AW-W-02	5500-6500K	White	13000	120°	SDM3030	AC100-240V 50/60Hz	100	1.2A	> 80	≥0.9
RT-100-AW-NW-02	4000-4500K	Neutral White	13000							
RT-100-AW-WW-02	2700-3200K	Warm White	11500							
RT-120-AW-W-02	5500-6500K	White	15600	120°	SDM3030	AC100-240V 50/60Hz	120	1.4A	> 80	≥0.9
RT-120-AW-NW-02	4000-4500K	Neutral White	15600							
RT-120-AW-WW-02	2700-3200K	Warm White	13800							
RT-150-AW-W-02	5500-6500K	White	19500	120°	SDM3030	AC100-240V 50/60Hz	150	1.8A	> 80	≥0.9
RT-150-AW-NW-02	4000-4500K	Neutral White	19500							
RT-150-AW-WW-02	2700-3200K	Warm White	17200							
RT-180-AW-W-02	5500-6500K	White	23400	120°	SDM3030	AC100-240V 50/60Hz	180	2.1A	> 80	≥0.9
RT-180-AW-NW-02	4000-4500K	Neutral White	23400							
RT-180-AW-WW-02	2700-3200K	Warm White	20700							

01=UL series(With American Standard series)

02=Normal series(EU series)

Application:

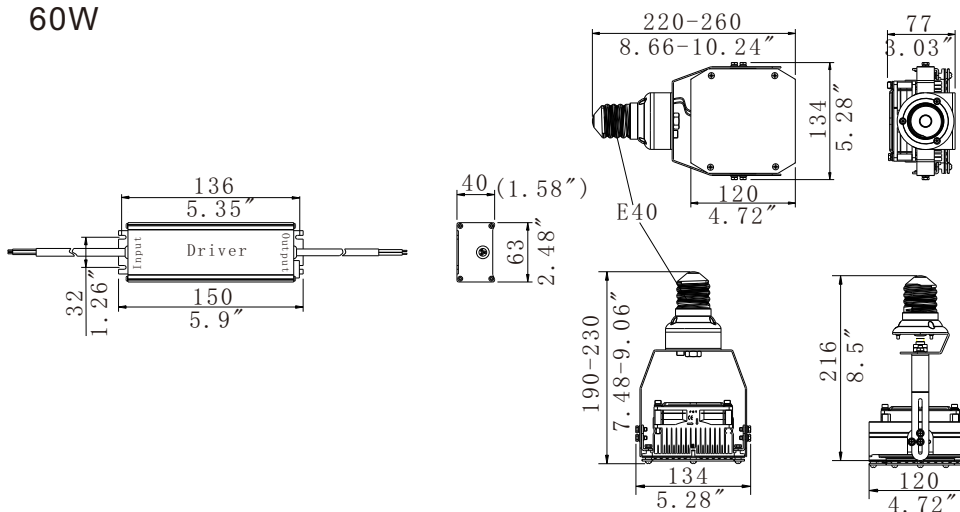
Replacement of traditional HPS and MH LEDs in gas station lamp, highbay light, wallpack, street lamp, project lamp, shoebox, etc.



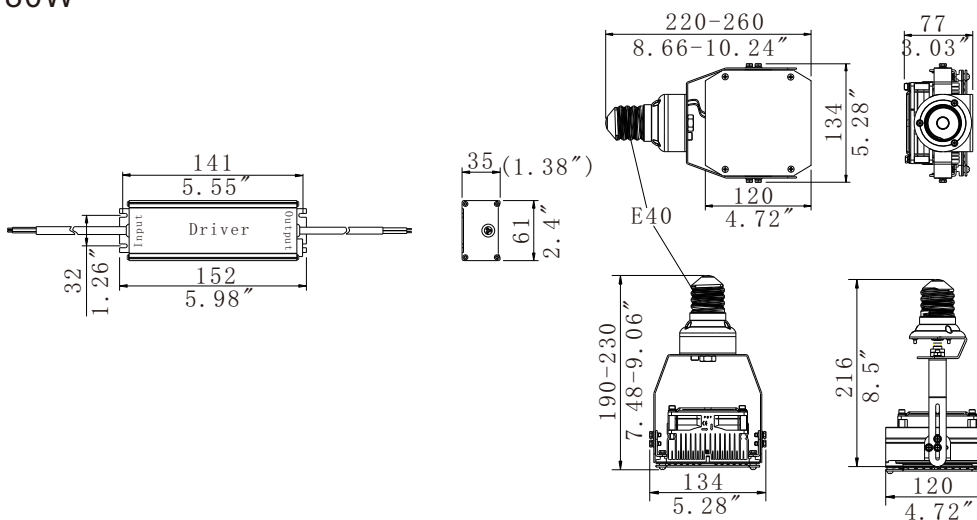


Dimension(Unit:mm/inch):

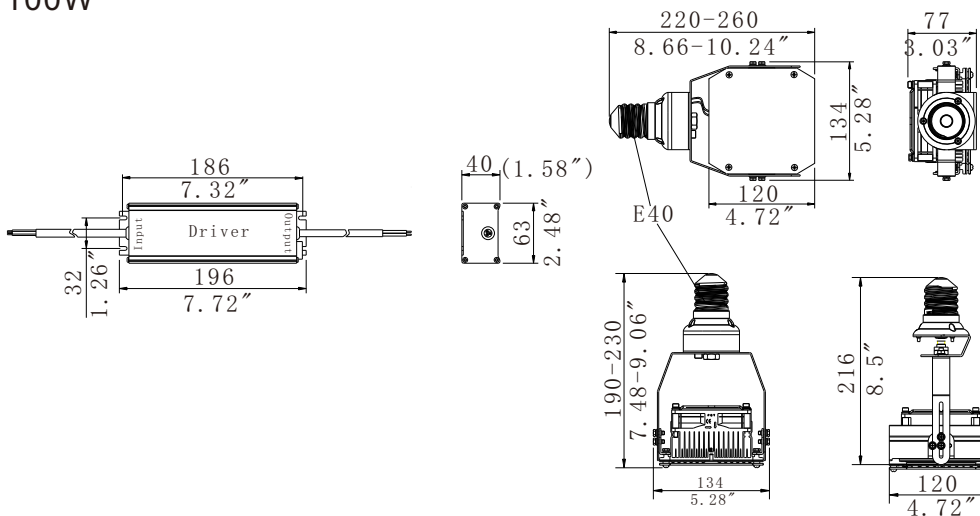
60W



80W

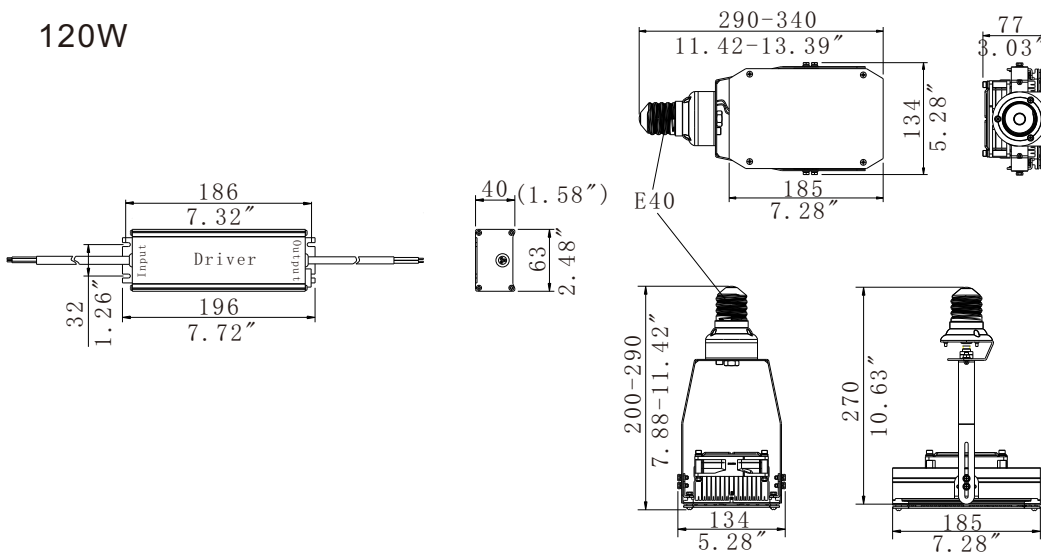


100W

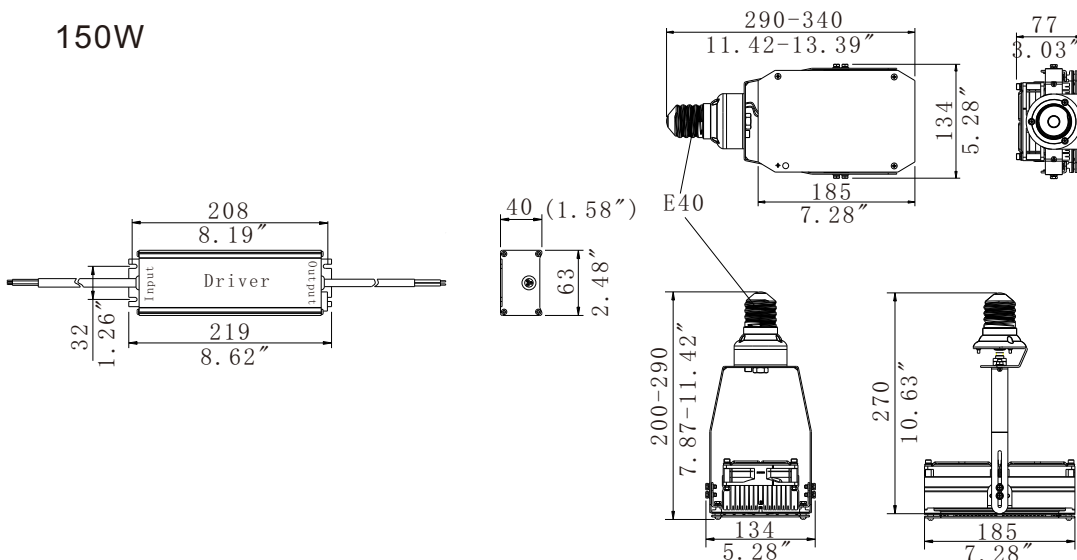




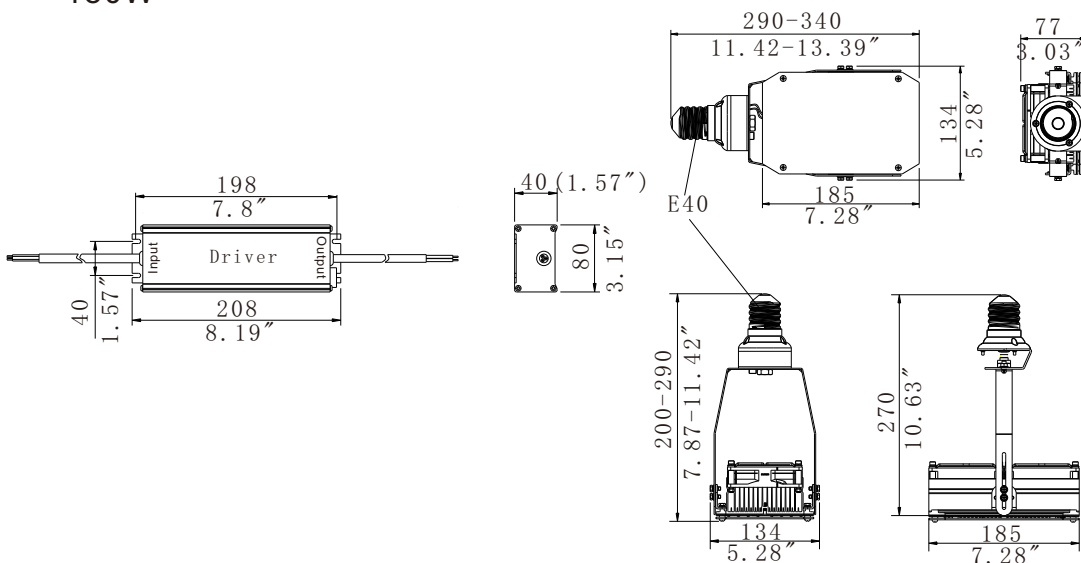
120W



150W



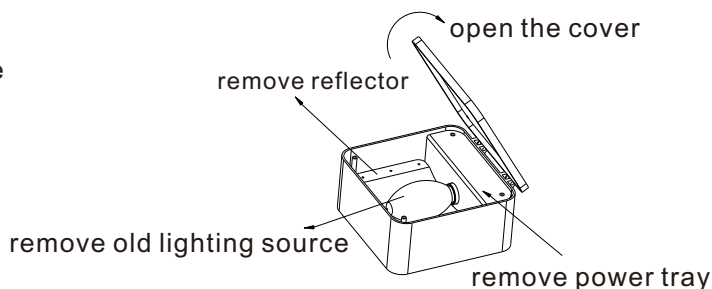
180W



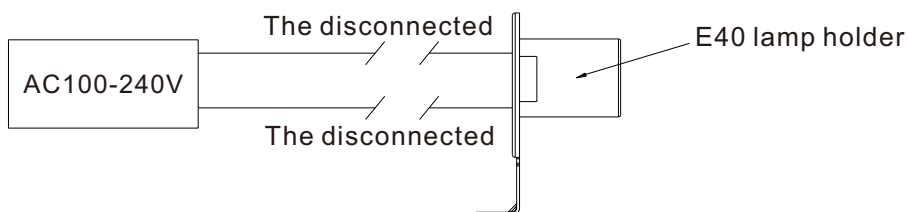


Installation:

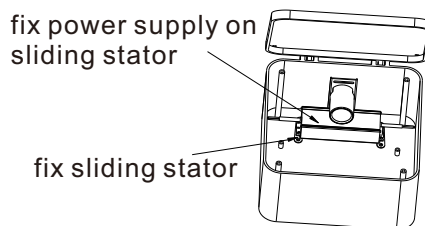
1. Open Luminaire, remove old lighting source (MH,HPS...) ballast, reflector power tray and other accessories beside E40 lamp holder.



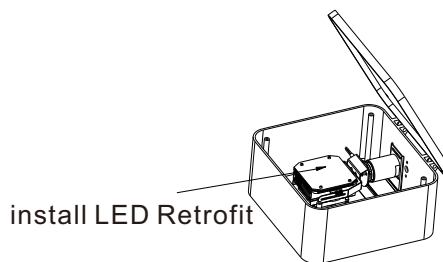
2. The original input wire is disconnected from E40 lamp holder.



3. Fix LED driver on enclosure by 2 adjustable bracket. fix sliding stator. fix power supply on sliding stator.

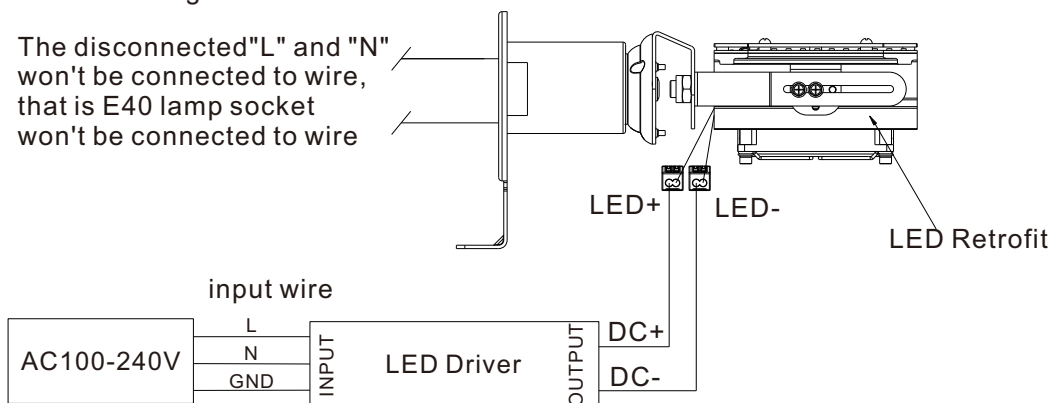


4. Screw LED retrofit into E40 lamp holder. Adjust the U shape bracket to proper emitting angle. Connect optics by fast-connector



5. Install wire diagram.

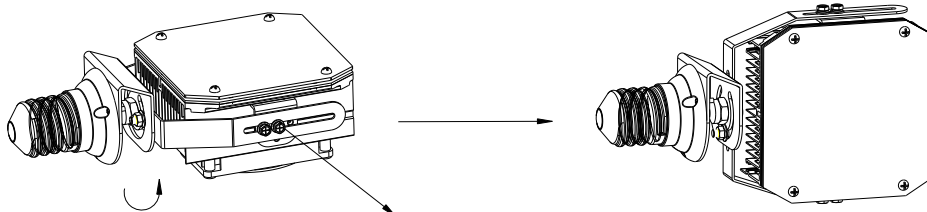
The disconnected "L" and "N" won't be connected to wire, that is E40 lamp socket won't be connected to wire



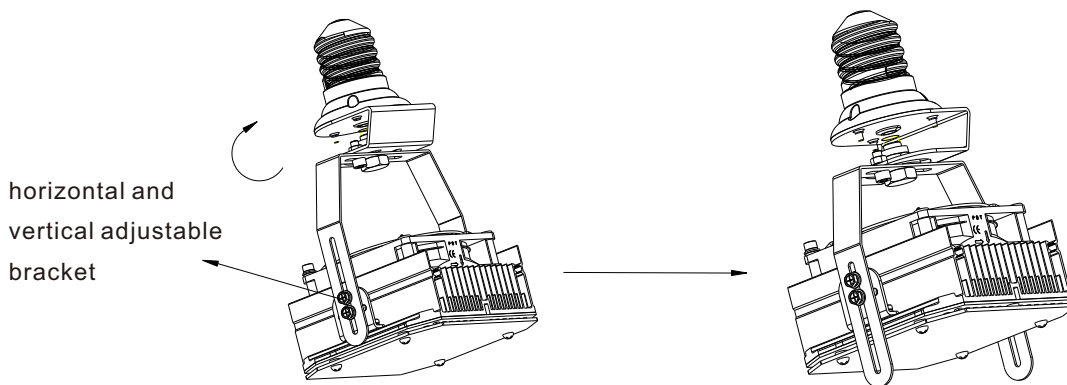
6. Close cover and fasten screws, installation finish.



Adjustment Method

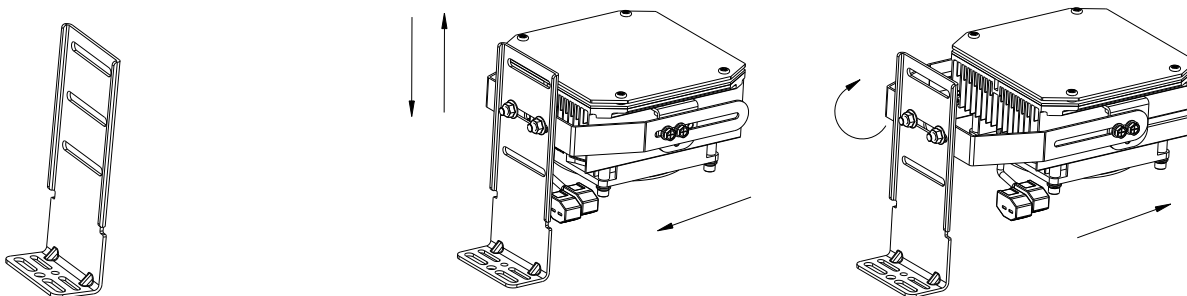


horizontal and vertical adjustable bracket



horizontal and vertical adjustable bracket

Optional bracket



Optional accessories

horizontal and vertical adjustable bracket



Package information:

Power	60W	80W	100W
Inner box dimension	270*235*100mm	270*235*100mm	270*235*100mm
Outer carton dimension	500*285*440mm	500*285*440mm	500*285*440mm
Packing qty	8PCS/carton	8PCS/carton	8PCS/carton
Net weight	1.5kg	1.5kg	1.7kg
Single Gross weight	2.0kg	2.0kg	2.2kg
Total Gross weight	17.0kg	17.0kg	18.6kg

Power	120W	150W	180W
Inner box dimension	330*235*100mm	330*235*100mm	330*235*100mm
Outer carton dimension	500*345*440mm	500*345*440mm	500*345*440mm
Packing qty	8PCS/carton	8PCS/carton	8PCS/carton
Net weight	2.0kg	2.2kg	2.3kg
Single Gross weight	2.5kg	2.7kg	2.8kg
Total Gross weight	21.2kg	22.8kg	23.6kg

Installation information:

1. Power off before installation;
2. Power tray of shoebox must be dismantled, otherwise power supply installation and lamp cooling must be affected;
3. Protection grade of the product must be determined by protection grade of original housing; before installation, please ensure protection grade of housing reach actual using requirement.

Notice:

1. Please first read the product specification carefully, make sure the using environment conform to specification, then it can be used;
2. Please confirm the input voltage, frequency before use;
3. This product must be installed by professionals;
4. If there is any damage to the power wire or shell of the product, it should be taken as defective product and do not use it;
5. Dangerous high voltage, non-professionals are not allowed to maintain the product;
6. If external soft cable or soft wire of the light is damaged, it should be replaced by manufacture or service agent or personnel with similar qualification to avoid danger.