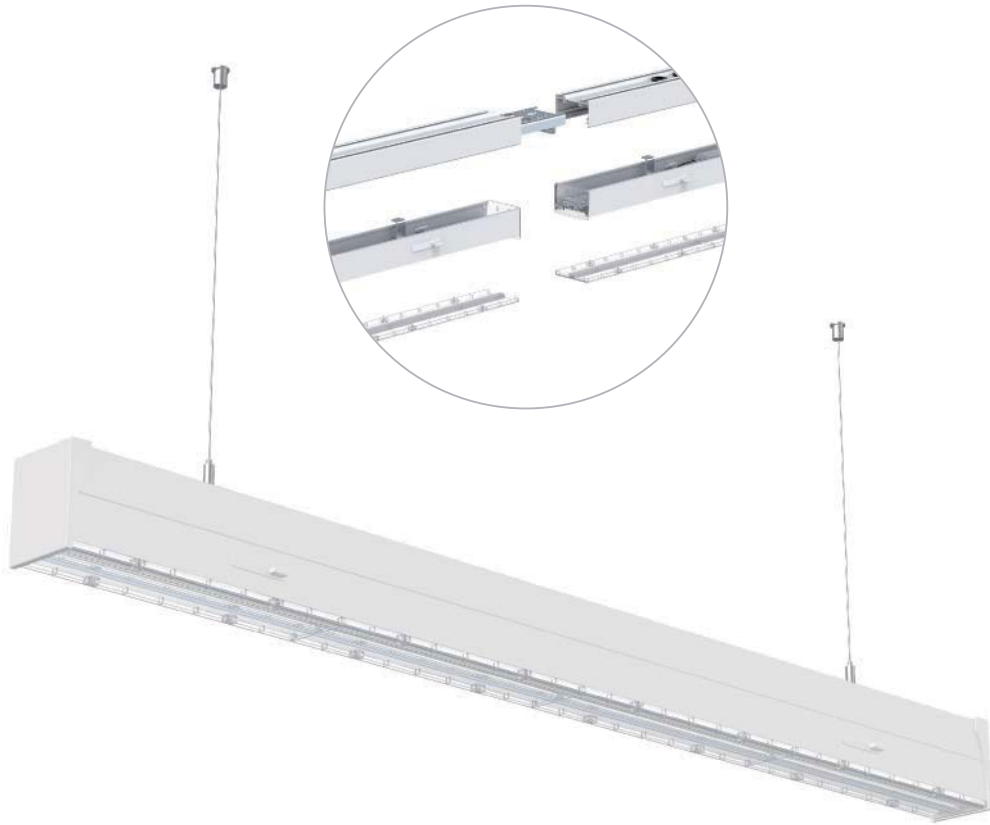




# SL 9070 LED Linear Light

## LED linear trunking system



### Description

SL9070 is the latest new led trunking linear system, it is divided to 2 parts-the aluminum trunking rail and the linear lighting module,easy to install and maintain. It is pre-mounted with 5/7 wires, with 3 phase and 4 wires electrical circuit design, can work at the continuous run 250m.It is widely used for supermarkets, warehouses, workshops, fairs and so on.

### Application:

Commercial and industrial lighting places, for example: supermarkets,shopping mall,parking lot,warehouses, workshops,fairs and so on.

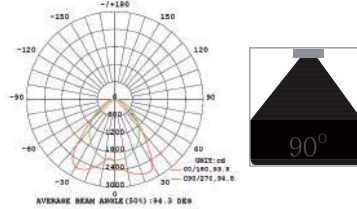


## Features

1.seamless continuous connection without any gap.



2.Special optical design,90 degree beam angle, UGR less than 19



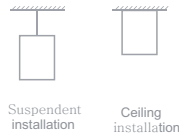
3.the trunking rail with built-in connection accessories, to connect the electrical parts and structure.



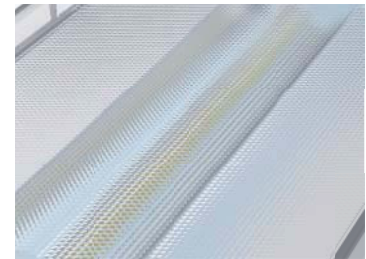
4.Three colors of lamp body, with black and grey.



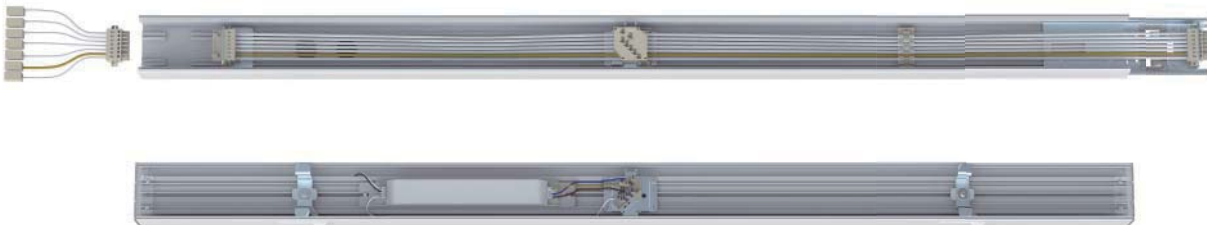
5.Two installation methods,ceiling and suspending .



6.high lumen lighting efficiency up to 150LM/W.



7.with 3 phase and 4 wires electrical circuit design, pre-mounted 5/7 wires with 2.5mm<sup>2</sup> copper core. The max continuous run is up to 250m at 220VAC and 110m at 110VAC.





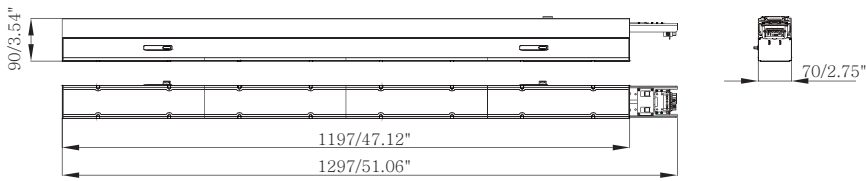
### Specifications

Model	CCT	LED Type	LED pcs	Lumen(lm) (±0%)	Power(W) (±0%)	Length(mm)	Voltage (V)	Dimming Optional	Pre-wired
SC-SL9070-040-AW-CW	6000-6500K	2835	252	6105 lm	40W	1200	100-240VAC 50/60HZ	non- dimmable	5 wires, 2.5MM2 copper core, L1,L2,L3,N,G
SC-SL9070-040-AW-NW	3800-4200K		252	5810 lm	40W	1200			
SC-SL9070-040-AW-WW	2800-3200K		252	5530 lm	40W	1200			
SC-SL9070-050-AW-CW	6000-6500K	2835	336	7400 lm	50W	1500			
SC-SL9070-050-AW-NW	3800-4200K		336	6800 lm	50W	1500			
SC-SL9070-050-AW-WW	2800-3200K		336	6600 lm	50W	1500			
SC-SL9070-075-AW-CW	6000-6500K	2835	504	10500 lm	75W	2400			
SC-SL9070-075-AW-NW	3800-4200K		504	10010 lm	75W	2400			
SC-SL9070-075-AW-WW	2800-3200K		504	9520 lm	75W	2400			
SC-SL9070-040-AW-A01-CW	6000-6500K	2835	252	6105 lm	40W	1200	100-277VAC 50/60HZ	0-10V dimming	7 wires, 2.5MM2 copper core, L1,L2,L3,N, G,DIM+, DIM-
SC-SL9070-040-AW-A01-NW	3800-4200K		252	5810 lm	40W	1200			
SC-SL9070-040-AW-A01-WW	2800-3200K		252	5530 lm	40W	1200			
SC-SL9070-050-AW-A01-CW	6000-6500K	2835	336	7400 lm	50W	1500			
SC-SL9070-050-AW-A01-NW	3800-4200K		336	6800 lm	50W	1500			
SC-SL9070-050-AW-A01-WW	2800-3200K		336	6600 lm	50W	1500			
SC-SL9070-075-AW-A01-CW	6000-6500K	2835	504	10500 lm	75W	2400			
SC-SL9070-075-AW-A01-NW	3800-4200K		504	10010 lm	75W	2400			
SC-SL9070-075-AW-A01-WW	2800-3200K		504	9520 lm	75W	2400			
SC-SL9070-040-AW-D01-CW	6000-6500K	2835	252	6105 lm	40W	1200	100-240VAC 50/60HZ	Dali	7 wires, 2.5MM2 copper core, L1,L2,L3,N, G,DA, DA
SC-SL9070-040-AW-D01-NW	3800-4200K		252	5810 lm	40W	1200			
SC-SL9070-040-AW-D01-WW	2800-3200K		252	5530 lm	40W	1200			
SC-SL9070-050-AW-D01-CW	6000-6500K	2835	336	7400 lm	50W	1500			
SC-SL9070-050-AW-D01-NW	3800-4200K		336	6800 lm	50W	1500			
SC-SL9070-050-AW-D01-WW	2800-3200K		336	6600 lm	50W	1500			

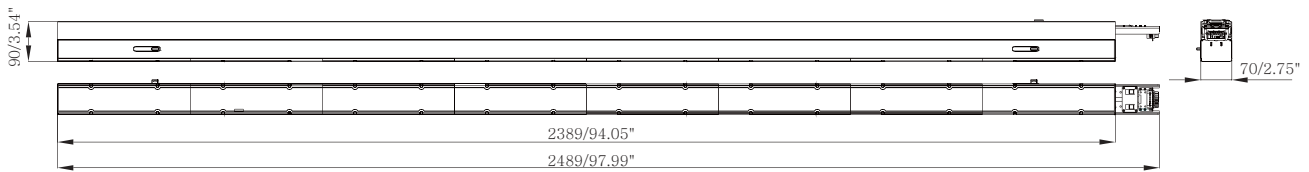
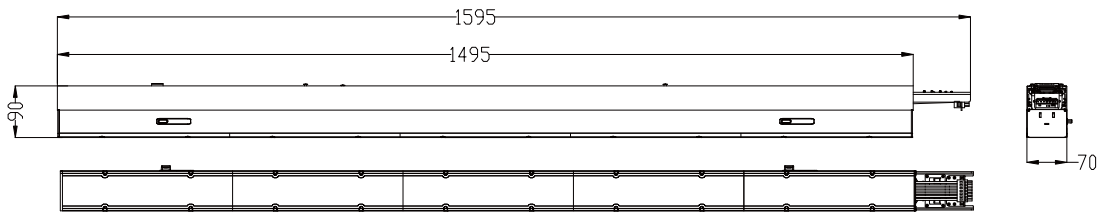
Beam angle	Energy saving	PF	CRI	IP	Life span	Lamp material
90e	90%	>0.95	Í 80	IP40	30000hrs	Aluminum alloy+PMM



### Dimensions(Unit:mm/inch)

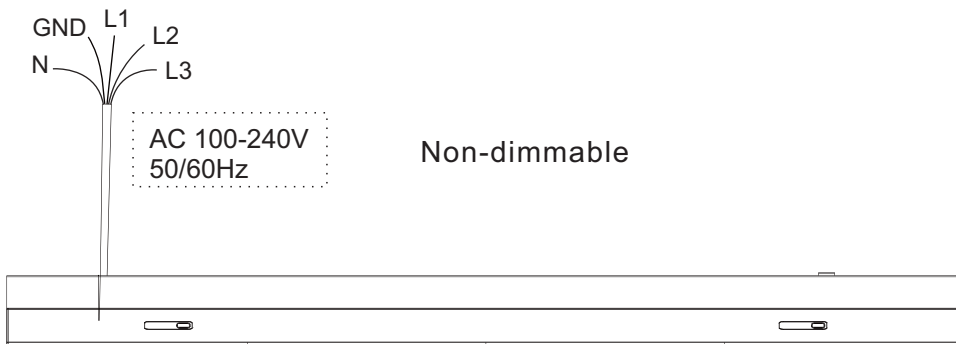


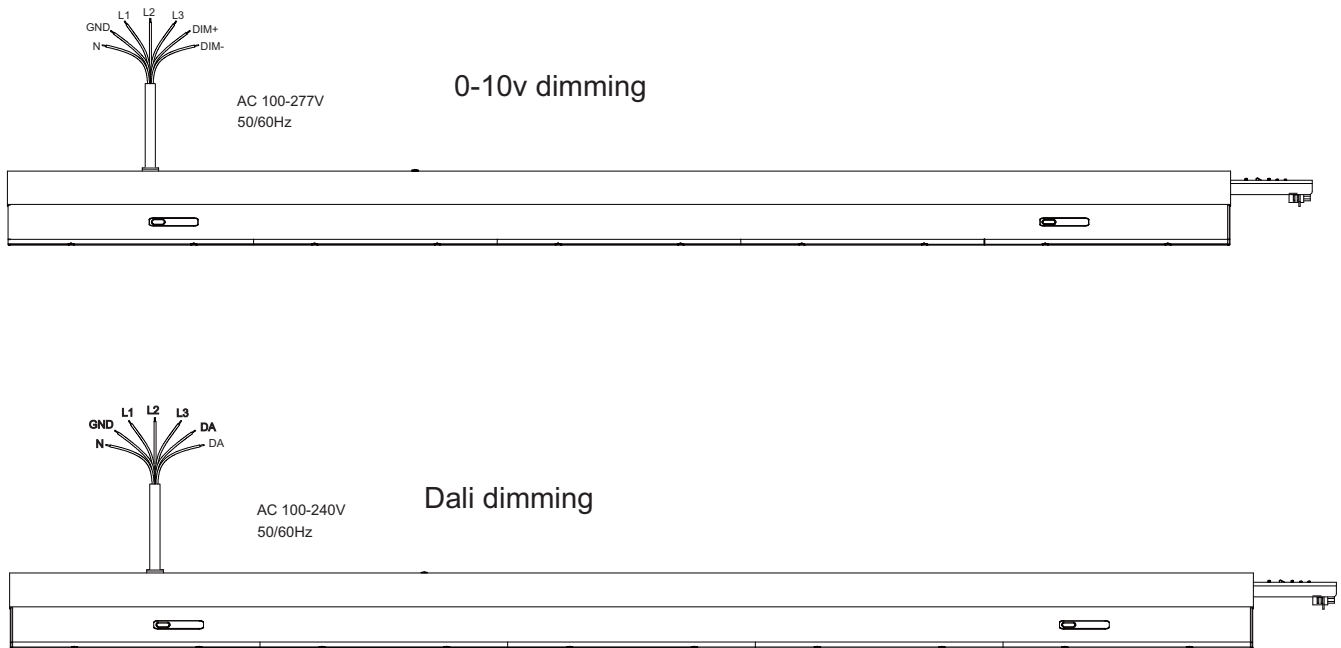
All dimension tolerance is  $\pm 1$ mm unless otherwise noted.



All dimension tolerance is  $\pm 2$ mm unless otherwise noted.

### Electrical Connection





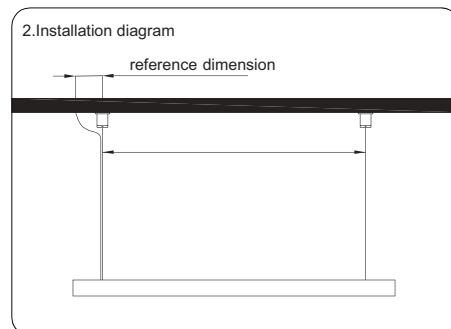
### How to install

1. Power off before installation
2. First confirm the installation position of lamp, ensure the installation ceiling can endure lamp weight; then fix accessories reliably in the ceiling and assemble another end of suspended components, finally clamp the assembled with assembled accessories.
3. Connect the lamp wire to matched power wire, and seal the joint with insulation.
4. The height between lamp and ceiling can be adjusted via locking wire, finally confirm the lamp won't loosen and drop;
5. When it is connected to end, the jointing connector needs to be pushed into lamp, and cover the end with metal side cover.

### continuous or suspended installation

**BOM**

1. 9070 end cap	2PCS
2. 9070 lamp	1PCS
3. connectors (optional)	1PCS
4. rubber plug	2PCS
5. fixing head	2PCS
6. 4X30PA screw	2PCS
7. suspending rope	2PCS
8. clamp	2PCS
9. safety rope	2PCS
10. square screw	2PCS





3. Drill hole

Drill hole according corresponding hole dimension, and hammer the rubber plug into hole

4. Split pendant rope

Wrench square-head screw and fixing head 2

5. Fix the fixing head of pendant rope

Thread the fixing head through pendant rope, and fasten the fixing head of pendant rope in the rubber plug with screw driver

6. Split lamp body

1. Pull decoration buckle out;
2. Rotate rotation handle clockwise;
3. Split the lamp body into two parts.

7. Install clamp

1. Thread square-head screw through fixing hole of safety rope, clamp, then fasten it with wire lock;
2. Snap the clamp into profile slot.

8. Connect input end

1. Break through rubber plug with screw driver;
2. Connect AC wire into connectors marked with L,GND,N respectively;

9. Splicing profile

1. Insert female connector of the second run into male connector of prior run;
2. Splicing quantity  
When input voltage is 100V, N\*P`4800W  
When input voltage is 240V, N\*P`11520W  
N is total run, and P is power of single lamp

10. Process end connection

1. Loosen the screws of stator and connector, and take out stator;
2. Push the connector into lamp, and fix the connector with screw.

11. Install the linear lighting module

1. Fix connector of lamp into trucking rail
2. Fix the linear lighting module with rotation handle
3. Install decoration buckle.

12. Adjust hole connectors

1. When input voltage is 100V, N\*P<1600W, when splicing lamp is about to rated power, L1 gear of connector should be switched to L2 gear and so on, until switch to L3;
2. When input voltage is 240V, N\*P<3840W, when splicing lamp is about to rated power, L1 gear of connector should be switched to L2 gear and so on, until switch to L3;

N is run on the same main line, and P is power of single lamp.

13. Install external end cap

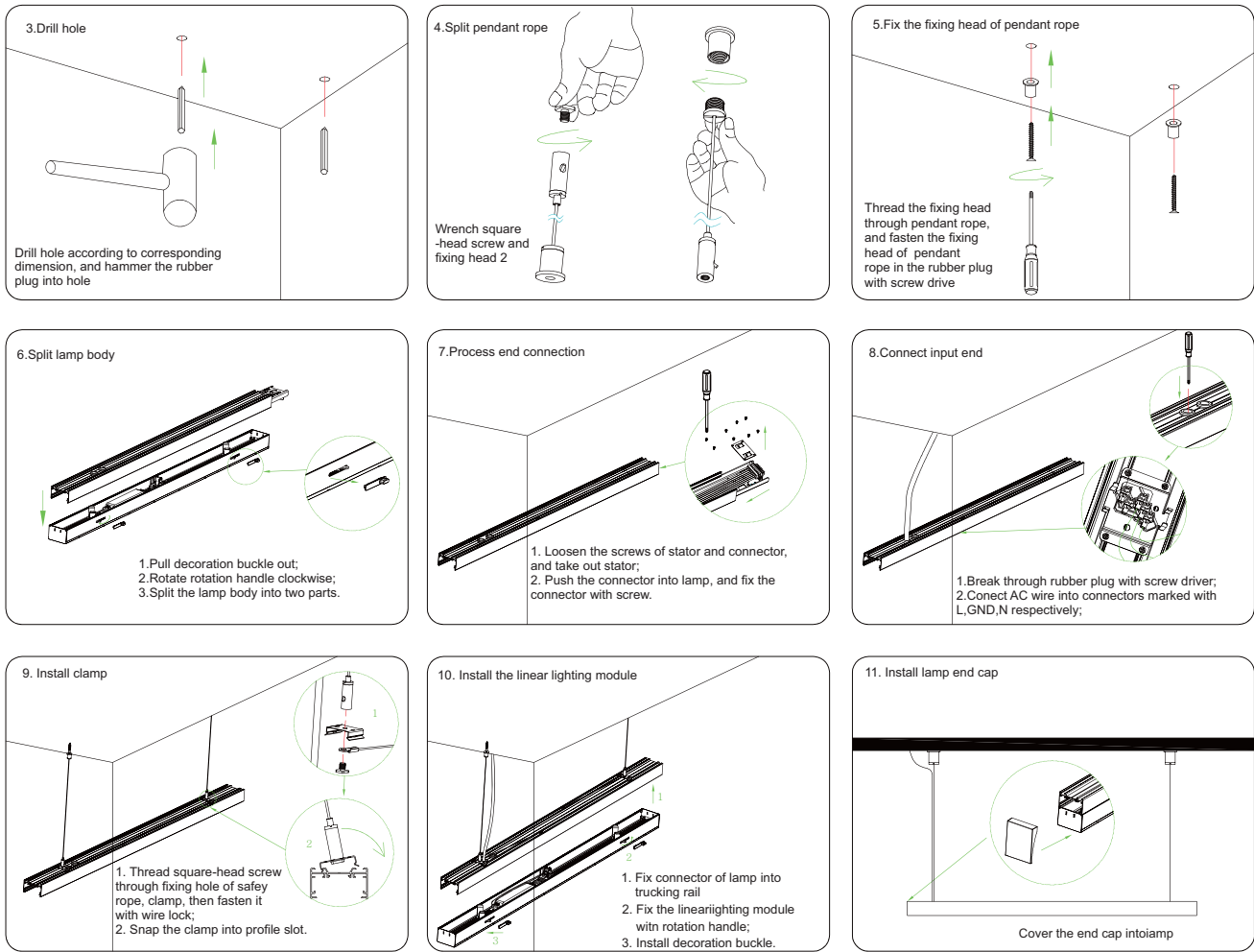
Cover the external cover of the first run and end into lamp

### singleBun or uspentdentVnstallation

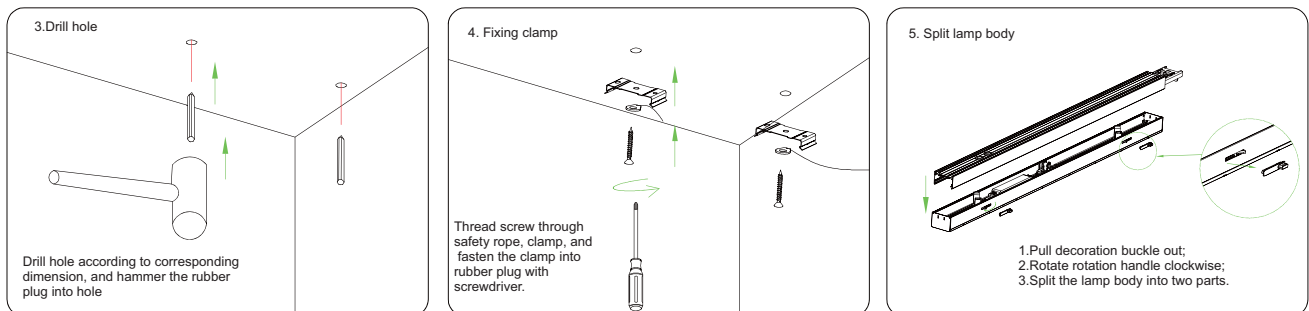
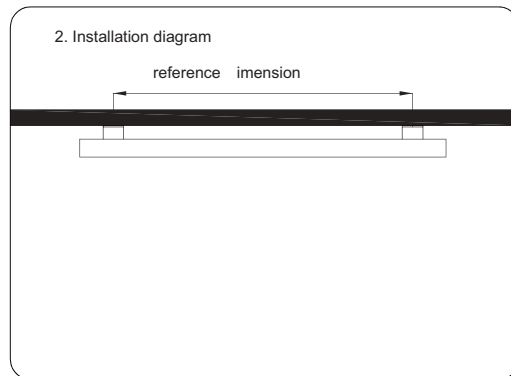
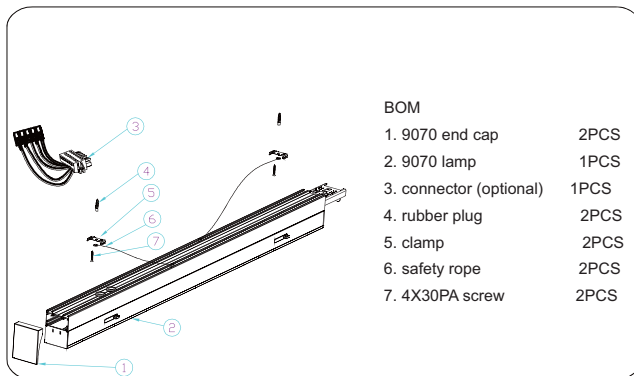
**BOM**

1. 9070 end cap	2PCS
2. 9070 lamp	1PCS
3. rubber plug	2PCS
4. fixing head	2PCS
5. 4X30PA screw	2PCS
6. suspndent rope	2PCS
7. clamp	2PCS
8. safety rope	2PCS
9. square screw	2PCS

2. Installation diagram



### continuousBun or urfaceVnstallation





6. Connect input end

1. Break through rubber plug with screw driver;
2. Connect AC wire into connectors marked with L, GND, N respectively;

7. Fix splicing profile

Insert splicing profile into clamp obliquely.

8. Splicing profile

1. Insert female connector of the second run into male connector of prior run;
2. Splicing quantity  
When input voltage is 100V, N\*P '4800W  
When input voltage is 240V, N\*P '11520W  
N is total run, and P is power of single lamp

9. Process end connection

1. Loosen the screws of stator and connector with screwdriver, and take out stator;
2. Push the connector into lamp, and fix the connector with screw.

10. Install the linear lighting module

1. Fix connector of lamp into trucking rail
2. Fix the linearighting module with rotation handle;
3. Install decoration buckle.

11. Adjust hole connector and install end cap of lamp

1. When input voltage is 100V, N\*P=1600W; when splicing lamp is about to rated power, L1 gear of connector should be switched to L2 gear and so on, until I switch to L3;
2. When input voltage is 240V, N\*P<3840W, when splicing lamp is about to rated power, L1 gear of connector should be switched to L2 gear and so on, until switch to L3;
3. N is run on the same main line, and P is power of single lamp.
3. Cover the external cover of the first run and end into lamp

### single run for surface installation.

**BOM**

1. 9070 end cap	2PCS
2. 9070 lamp	1PCS
3. rubber plug	2PCS
4. clamp	2PCS
5. safety rope	2PCS
6. 4X30PA screw	2PCS

2. Installation diagram

3. Drill hole

Drill hole according to corresponding dimension, and hammer the rubber plug into hole

4. Fixing clamp

Thread screw through safety rope, clamp, and fasten the clamp into rubber plug with screwdriver.

5. Split lamp body

1. Pull decoration buckle out;
2. Rotate rotation handle clockwise;
3. Split the lamp body into two parts.

6. Process end connection

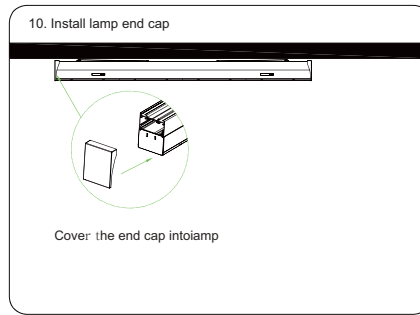
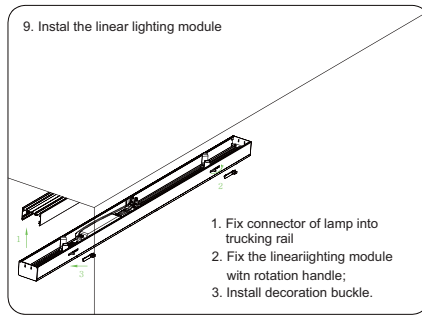
1. Loosen the screws of stator and connector, and take out stator;
2. Push the connector into lamp, and fix the connector with screw.

7. Connect input end

1. Break through rubber plug with screw driver;
2. Insert male connector of input connecting wire, thread the wire through rubber plug;
2. Connect AC wire into connectors marked with L, GND, N respectively;

8. Fasten splicing profile

Insert the splicing profile into clamp



### Product packaging information:

1.2m lamp	1.5m lamp	2.4M lamp
<ul style="list-style-type: none"> <li>● Net weight/PC:3.8kg</li> <li>● Side gross weight/CTN: 28.6kg</li> <li>● Inner size: 1367X108X137mm</li> <li>● Carton size: 1387X345X295mm</li> <li>● 1pcs/inner box,6 inner boxes/carton.</li> </ul>	<ul style="list-style-type: none"> <li>● Net weight/PC: 4.7kg</li> <li>● Side gross weight/CTN:35.70kg</li> <li>● Inner size: 1665X108X137mm</li> <li>● Carton size: 1685X345X295mm</li> <li>● 1pcs/inner box,6 inner boxes/carton</li> </ul>	<ul style="list-style-type: none"> <li>● Net weight/PC: 7.6kg</li> <li>● Side gross weight/CTN:37.80kg</li> <li>● Inner size: 2575X236X295mm</li> <li>● Carton size: 2555X108X137mm</li> <li>● 1pcs/inner box,4 inner boxes/carton</li> </ul>

### ! Notice

1. Please read the specification first, to make sure the service environment matches the condition in the specification before using.
2. Please confirm the input voltage, frequency before using.
- 3.The lamp must be installed by professional personnel
4. If there is any damage on the power line or the shell of the product, it should be taken as defective product and do not use it ;
5. Dangerous high voltage, Non-professionals are not allowed to maintain the products.
6. If the exterior flexible cable or wire is damaged, it must be exchanged by the supplier, its agent or other similar qualified personnel to avoid dangers.