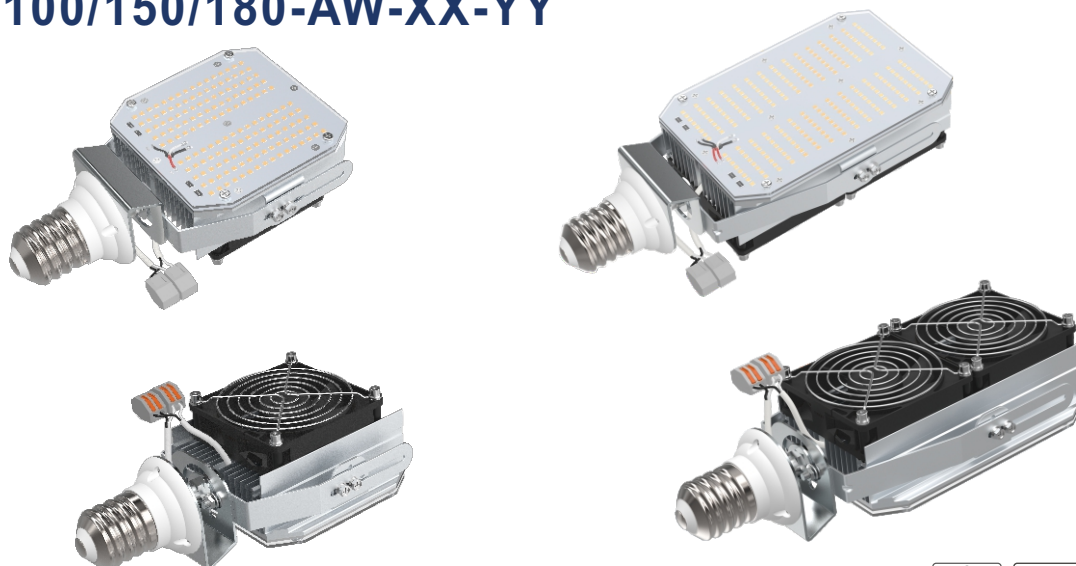


LED Retrofit

RT-100/150/180-AW-XX-YY



Description:

LED Retrofit is designed as economic replacement for HPS .Its adjustable Ubracket suit to horizontal and vertical mogul (E39) holder. It's more efficient than LED corn light no matter in high bay, shoebox , street light or wall pack for its one face emitting, RT-100 , RT-150-/RT-180 are ideal replacement for 250W and 400W HPS.

Feature:

1. An extreme economic retrofit, 50% cost down compared to changing whole luminaries;
2. Retrofit is able to work in a sealed fixture and thermal detector could protect the LED while fan fail to work;
3. Standard E39 (Mogul)base , great compatibility ;
4. Up to 130lm/w ;
5. Using small drive current, LED package will have a longer lifespan.
- 6.Sosen UL driver,Seoul 3030 LED ,Taiwan Sunon fan.
- 7.Operating environment temperature:-20 °C-40°C.
- 8.Anti-corrosion protection:no.





Technical parameters:

Model	Color	CCT	Lumen(lm) (±10%)	Beam (angle°)	LED Type	Voltage, Frequency	Power (±10%)	Current	CRI	PF
RT-100-AW-W-01	5000K	White	13000	120°	SMD3030	AC100-277V 50/60Hz	100	1.2A	> 80	≥0.9
RT-100-AW-NW-01	4000K	Neutral White	13000							
RT-100-AW-WW-01	3000K	Warm White	11500							
RT-150-AW-W-01	5000K	White	19500	120°	SMD3030	AC100-277V 50/60Hz	150	1.8A	> 80	≥0.9
RT-150-AW-NW-01	4000K	Neutral White	19500							
RT-150-AW-WW-01	3000K	Warm White	17200							
RT-180-AW-W-01	5000K	White	23400	120°	SMD3030	AC100-277V 50/60Hz	180	2.1A	> 80	≥0.9
RT-180-AW-NW-01	4000K	Neutral White	23400							
RT-180-AW-WW-01	3000K	Warm White	20700							

01=UL series(With American Standard series)

02=Normal series(EU series)

Application:

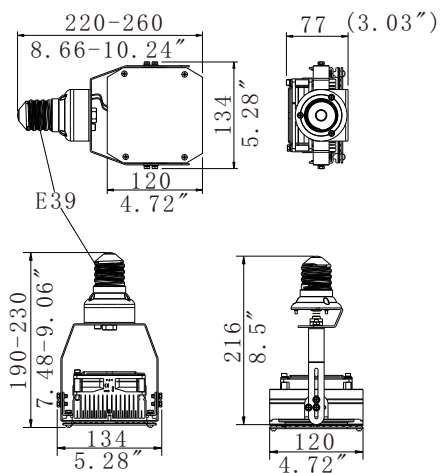
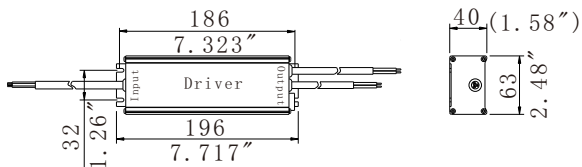
Replacement of traditional HPS and MH LEDs in gas station lamp, highbay light, wallpack, street lamp, project lamp, shoebox, etc.



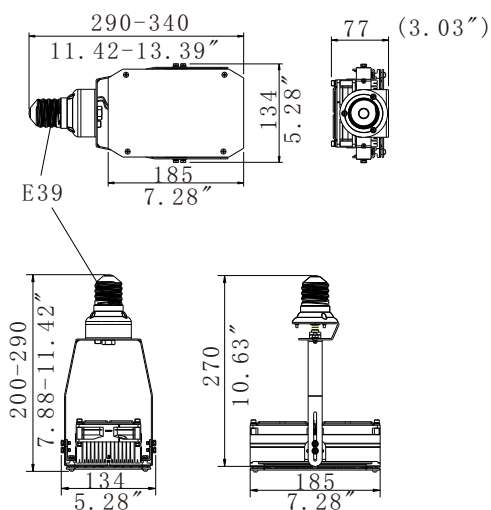
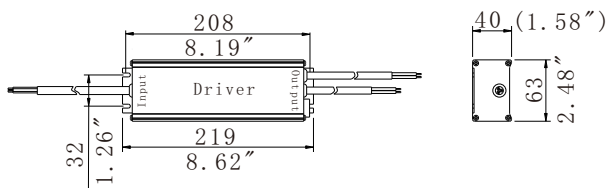


Dimension(Unit:mm/inch):

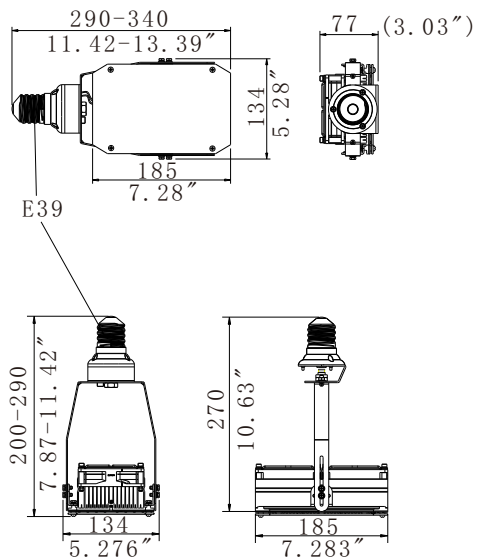
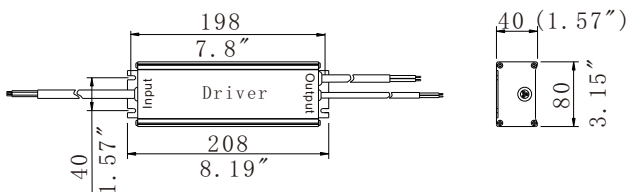
100W



150W



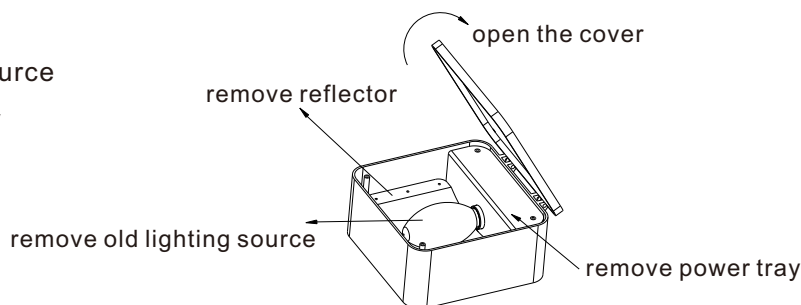
180W



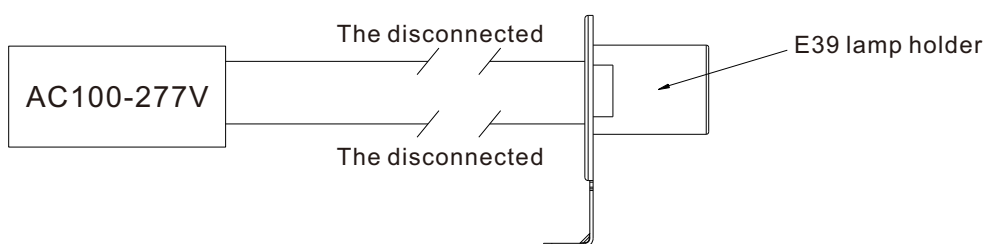


Installation:

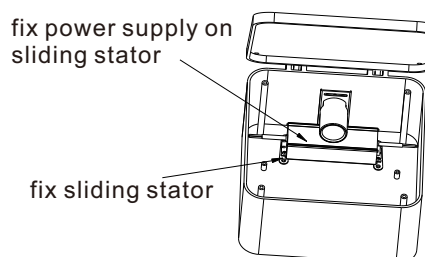
1. Open Luminaire, remove old lighting source (MH,HPS...) ballast, reflector power tray and other accessories beside E39 lamp holder.



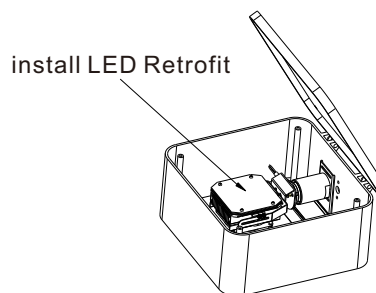
2. The original input wire is disconnected from E39 lamp holder.



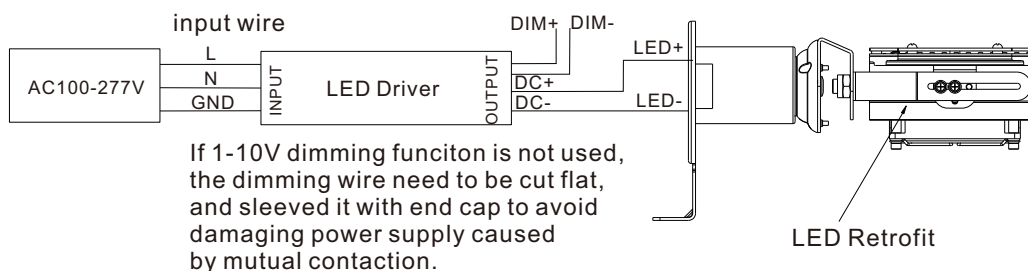
2. Fix LED driver on enclosure by 2 adjustable bracket. fix sliding stator. fix power supply on sliding stator.



3. Screw LED retrofit into E39 lamp holder. Adjust the U shape bracket to proper emitting angle. Connect optics by fast-connector



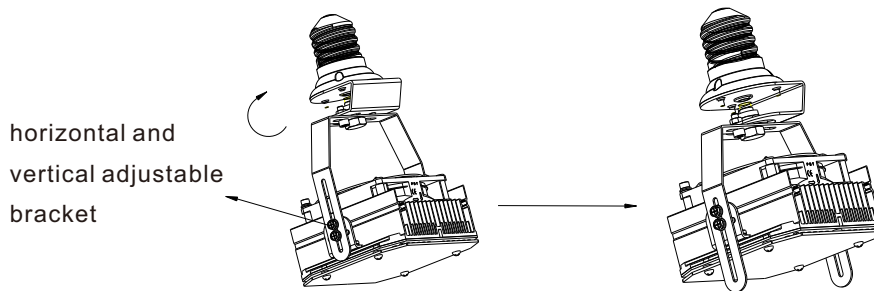
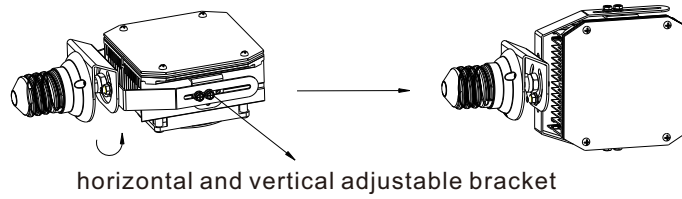
4. Install wire diagram.



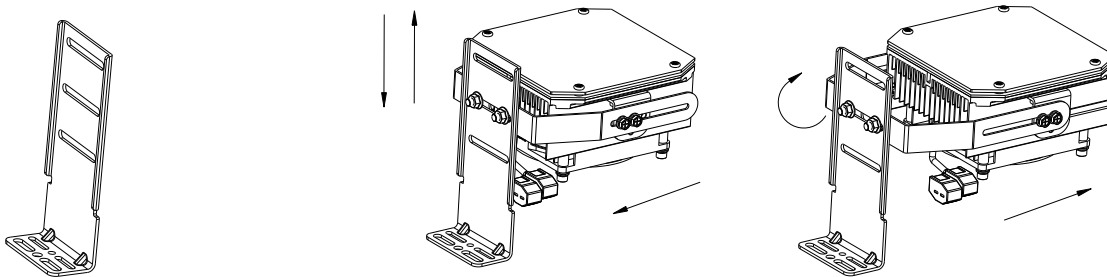
If 1-10V dimming function is not used, the dimming wire need to be cut flat, and sleeved it with end cap to avoid damaging power supply caused by mutual contactation.

6. Close cover and fasten screws, installation finish.

Adjustment Method



Optional bracket



Package information:

Power	100W	150W	180W
Inner box dimension	270*235*100mm	330*235*100mm	330*235*100mm
Outer carton dimension	500*285*440mm	500*345*440mm	500*345*440mm
Packing qty	8PCS/carton	8PCS/carton	8PCS/carton
Net weight	1.7kg	2.2kg	2.3kg
Single Gross weight	2.2kg	2.7kg	2.8kg
Total Gross weight	18.6kg	22.8kg	23.6kg

Installation information:

1. Power off before installation;
2. Power tray of shoebox must be dismantled, otherwise power supply installation and lamp cooling must be affected;
3. Protection grade of the product must be determined by protection grade of original housing; before installation, please ensure protection grade of housing reach actual using requirement.

Notice:

1. Please first read the product specification carefully, make sure the using environment conform to specification, then it can be used;
2. Please confirm the input voltage, frequency before use;
3. This product must be installed by professionals;
4. If there is any damage to the power wire or shell of the product, it should be taken as defective product and do not use it;
5. Dangerous high voltage, non-professionals are not allowed to maintain the product;
6. If external soft cable or soft wire of the light is damaged, it should be replaced by manufacture or service agent or personnel with similar qualification to avoid danger.
7. When radiator temperature of lamp exceed 85℃, the lamp will be out automatically; when temperature drop below 85℃, the lamp will be on again. If the lamp is on and out over and over again, please stop using it!